



FreeCAD

A hackable design platform

Yorik van Havre
FOSDEM 2015

- Please tweet with #FreeCAD
- Interrupt me when you want
- PDF of this talk on <http://yorik.uncreated.net>
- This presentation is shamelessly copied from a talk by Ryan Gordon

Yorik van Havre

- Architect (houses, not information), and one of the main FreeCAD devs
- <http://yorik.uncreated.net>
- yorik@uncreated.net
- [@yorikvanhavre](#)

Self-promotion moment (You can skip in 5...4...3...)



<http://www.uncreated.net>

<http://www.freecadweb.org>

- Homepage with download info, etc
- Documentation wiki
- **VERY** active forum (← go there)
- Bug tracker

What is FreeCAD

- Made to model “anything that will be built in the real world”
- Parametric (3D objects are controlled by parameters, for ex. Height or Length, or another object)
- LOVES standards

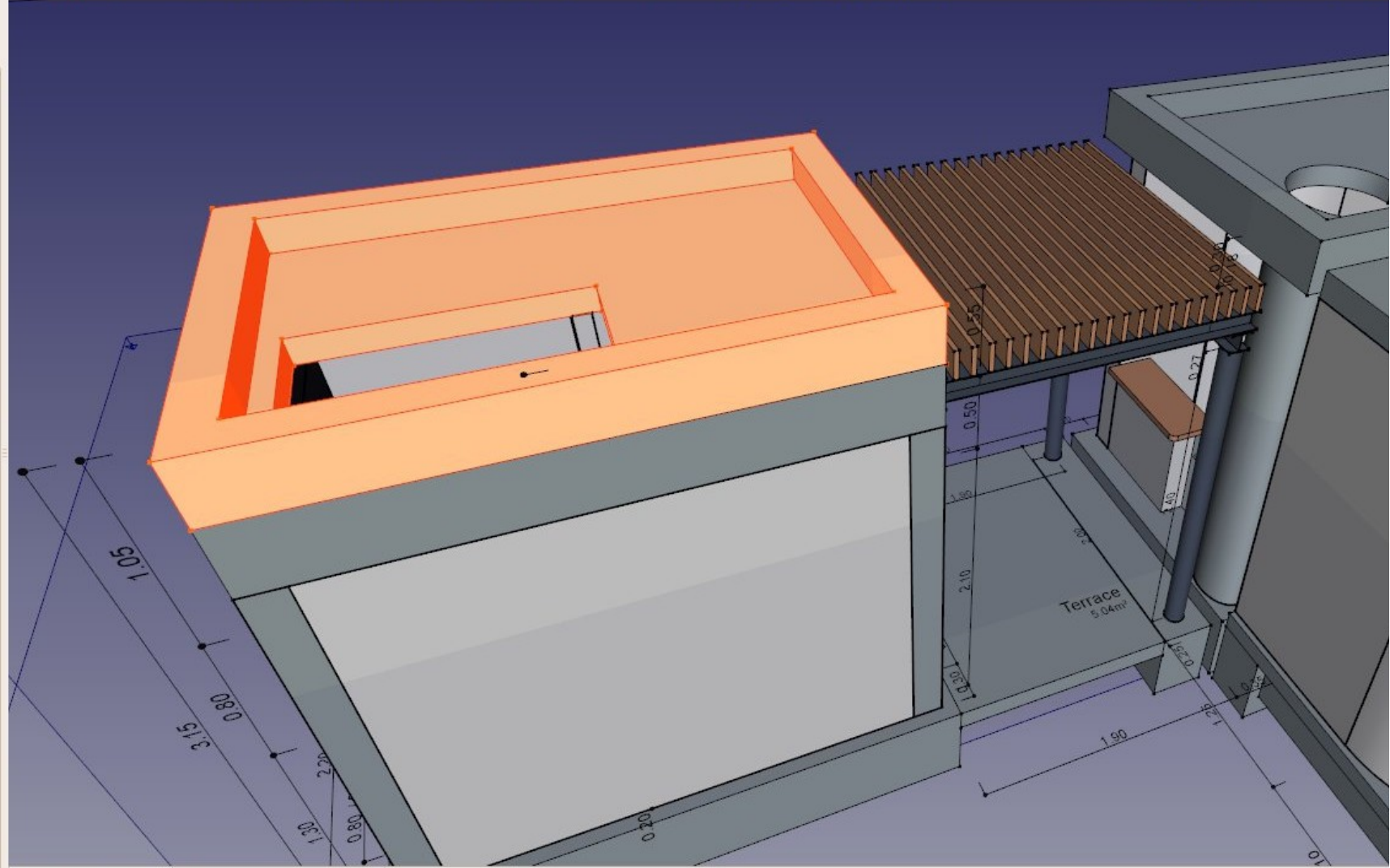


Combo View

Model Tasks

- Labels & Attributes
- Application
- testhouse
 - Construction
 - Annotations
 - Plan Annotations
 - Section A Annotations
 - Site
 - Testhouse 2
 - Ground floor
 - Structures
 - Superstructure
 - Metallic structure
 - Walls
 - Accessories
 - Spaces

Property	Value
Arch	
Show Nodes	false
Base	
Bounding B...	false
Deviation	0.50
Display Mode	Flat Lines
Draw Style	Solid
Lighting	Two side
Line Color	[0, 0, 0]
Line Width	1.00
Node Color	[255, 255, 255]
Node Line	0.00
Node Size	6.00
Point Color	[0, 0, 0]
Point Size	3.00



View Data

testhouse : 1 testhouse : A3 Page

Selection view

Search
testhouse.Structure013 (Roof slab)

Report view

```

Sel : Add Selection
"testhouse.Structure013.Face15(2132.004150, -100.000000, 2
937.734619)"
Sel : Clear selection
Sel : Add Selection "testhouse.Structure013.(null)
(2132.004150, -100.000000, 2937.734619)"
Hide main window
Active view is testhouse : 1[*] (at 0x3a963b0)
Show main window

```

Python console

```

>>> App.ActiveDocument=None
>>> Gui.ActiveDocument=None
>>> import FreeCAD
>>> FreeCAD.open(u"/home/yorik/Dropbox/Public/testhouse/testhouse.FcStd")
>>> App.setActiveDocument("testhouse")
>>> App.ActiveDocument=App.getDocument("testhouse")
>>> Gui.ActiveDocument=Gui.getDocument("testhouse")
>>> Gui.activeDocument().activeView().setCameraType("Perspective")
>>>

```



Combo View

Model Tasks

Help

Close

Solver messages

Under-constrained sketch with 19 degrees of freedom
Solved in 0 sec

Edit controls

- Show grid
- Grid size: 10 mm
- Grid snap
- Auto constraints

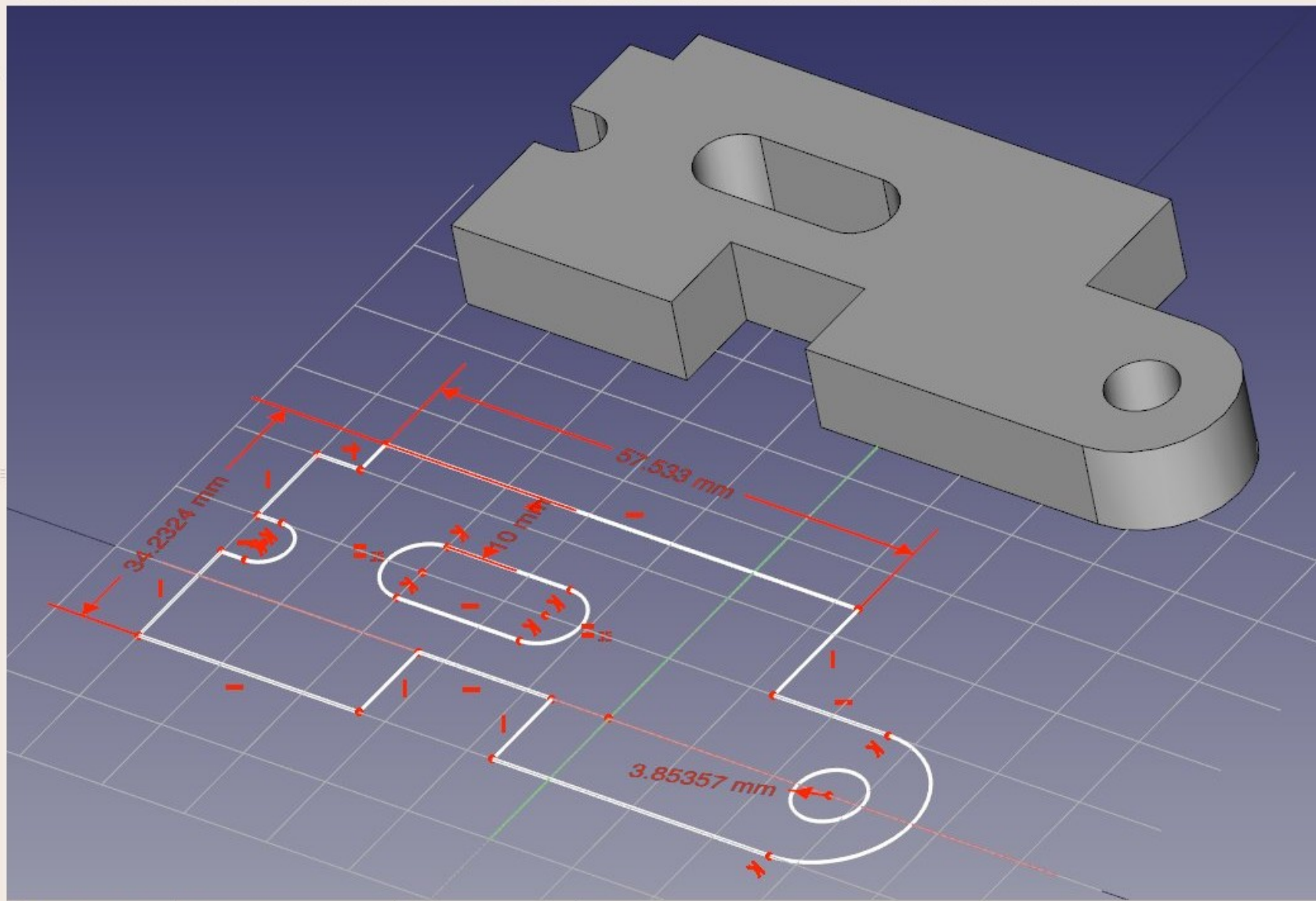
Constraints

Filter: Normal

- Constraint1
- Constraint3
- Constraint5
- Constraint6
- Constraint7
- Constraint9
- Constraint11

Elements

Tvne: Edge



testhouse : 1 testhouse : A3 Page Unnamed1 : 1*

Selection view

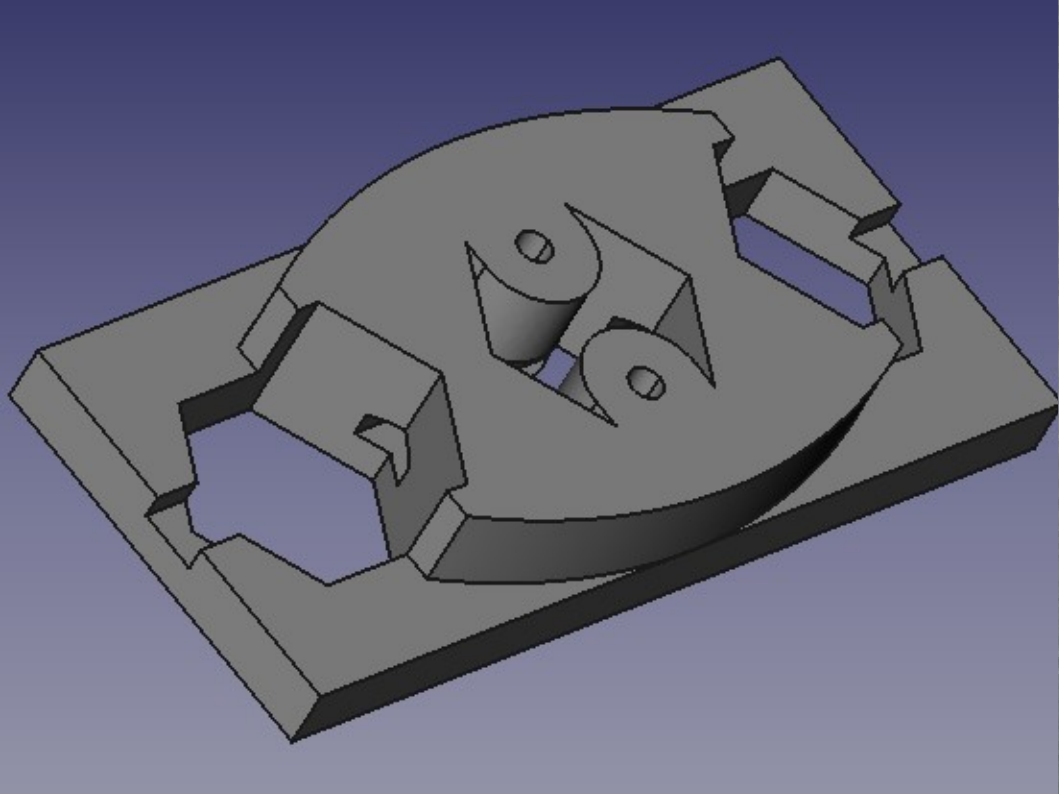
Search

Report view

```
Sel : Add Selection "Unnamed.Sketch.(null)"  
(0.000000,0.000000,0.000000)"  
Sel : Clear selection  
Sel : Add Selection  
"Unnamed.Pad001.Face23(-37.032871,52.429699,10.000000)"  
Active view is Unnamed1 : 1[*] (at 0x8db6980)  
Sel : Clear selection  
Active view is Unnamed1 : 1[*] (at 0x8db6980)  
Sel : Clear selection
```

Python console

```
>>> App.getDocument('Unnamed').recompute()  
>>> Draft.move([FreeCAD.ActiveDocument.Pad001],FreeCAD.Vector(0.0,94.18  
>>> FreeCAD.ActiveDocument.recompute()  
>>> Gui.getDocument('Unnamed').resetEdit()  
>>> App.getDocument('Unnamed').recompute()  
>>> FreeCADGui.getDocument("Unnamed").getObject("Pad001").ShapeColor =  
>>> FreeCADGui.getDocument("Unnamed").getObject("Pad001").ShapeColor =  
>>>
```

629 results for "freecad": Things

Sort: Relevant

FreeCAD GCode import f... Feb 18, 2012
by Area51

33 40 6

FreeCAD objects Apr 21, 2012
by reprinterMC

8 11 0

FreeCAD sketch to Open... Dec 15, 2012
by Bror

21 43 1

Parametric Project Encl... Nov 16, 2011
by thehans

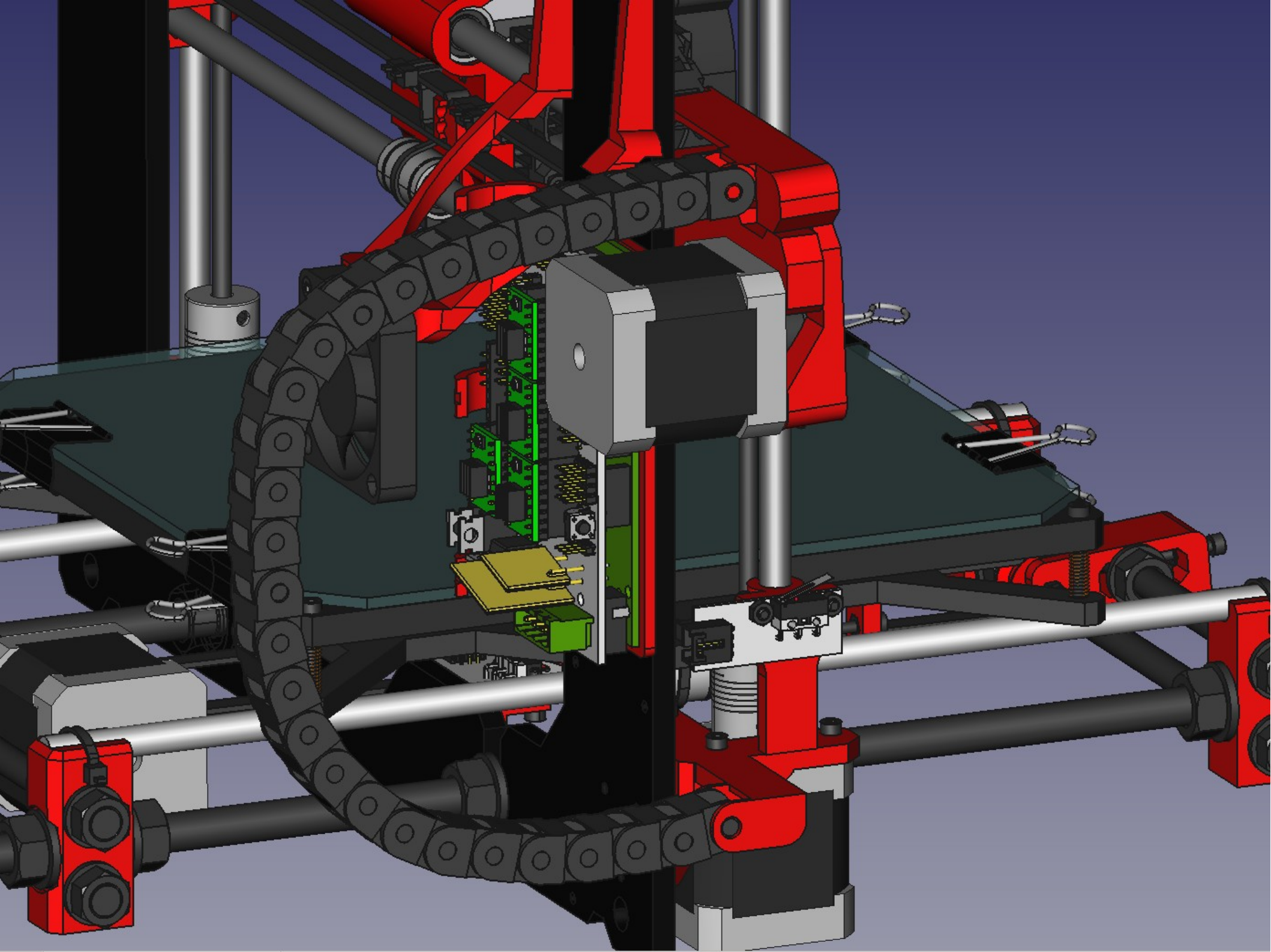
75 98 13

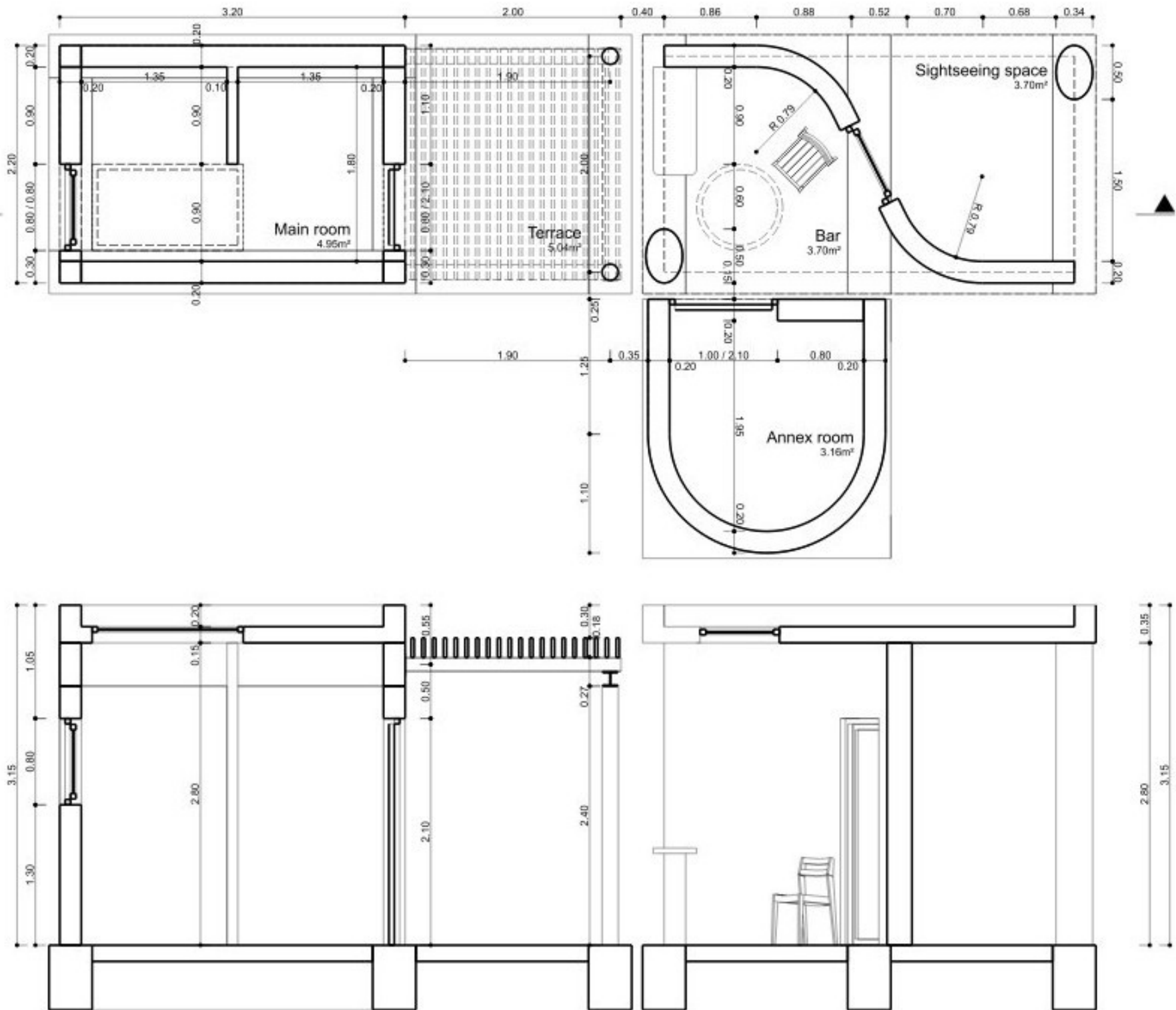
NEMA17 to 40mm Fan Ad... Apr 27, 2013
by nateduffy

13 34 0

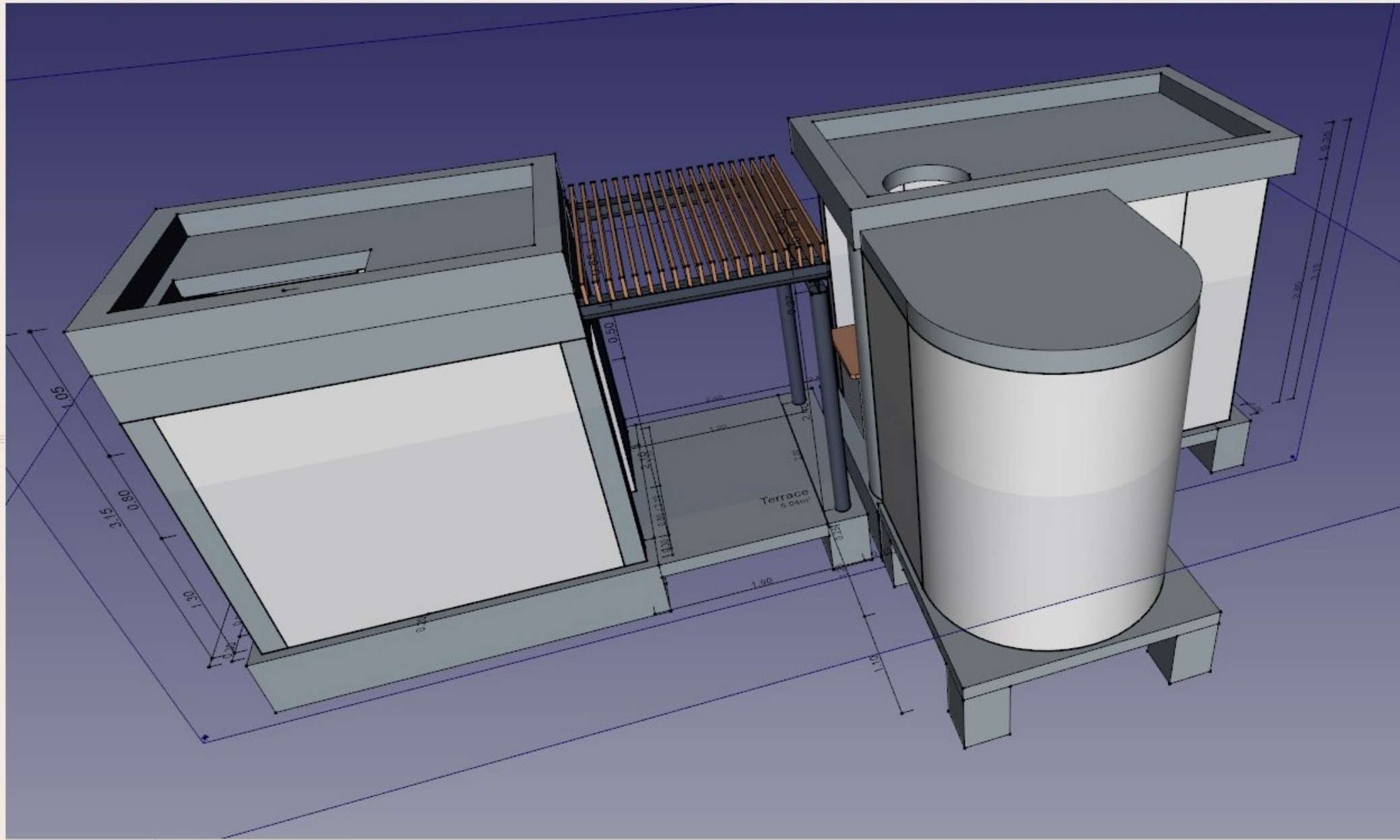
Parametric Pipe Clamp - ... Apr 30, 2014
by jpstaub

12 18 3





Test Ho
 Plan and Se
 Scale: 1:33



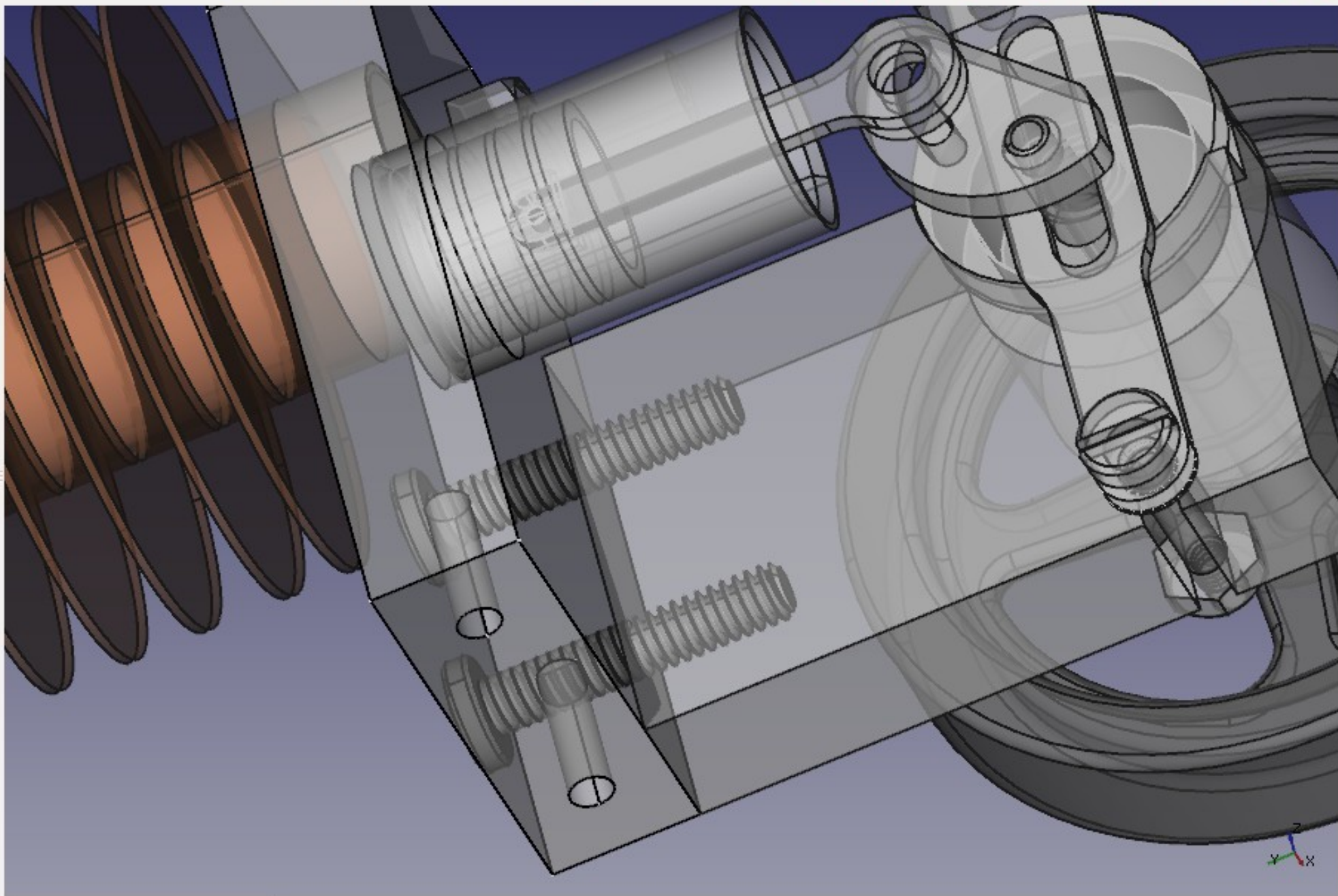
testhouse : 1 testhouse : A3 Page

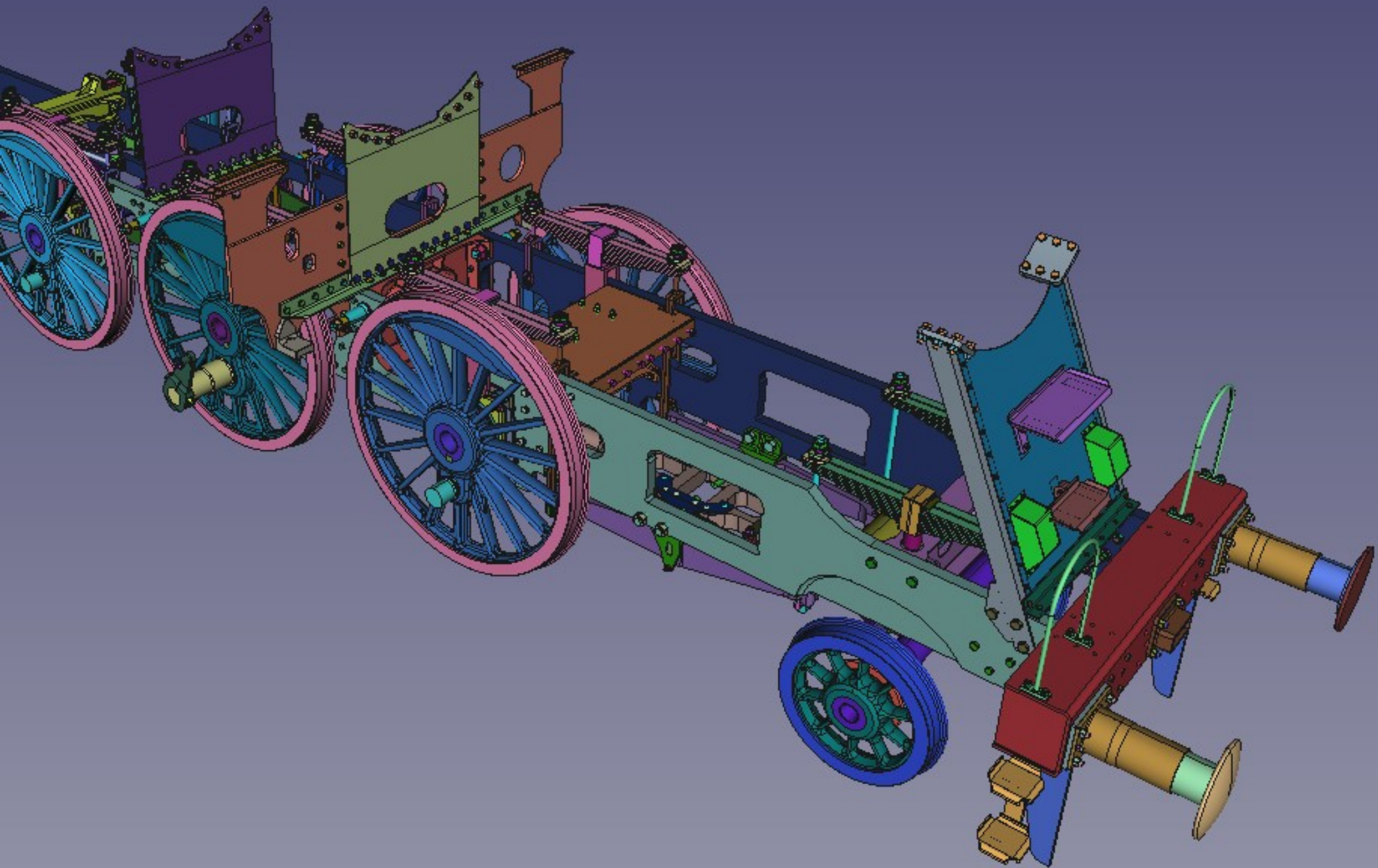
Report view

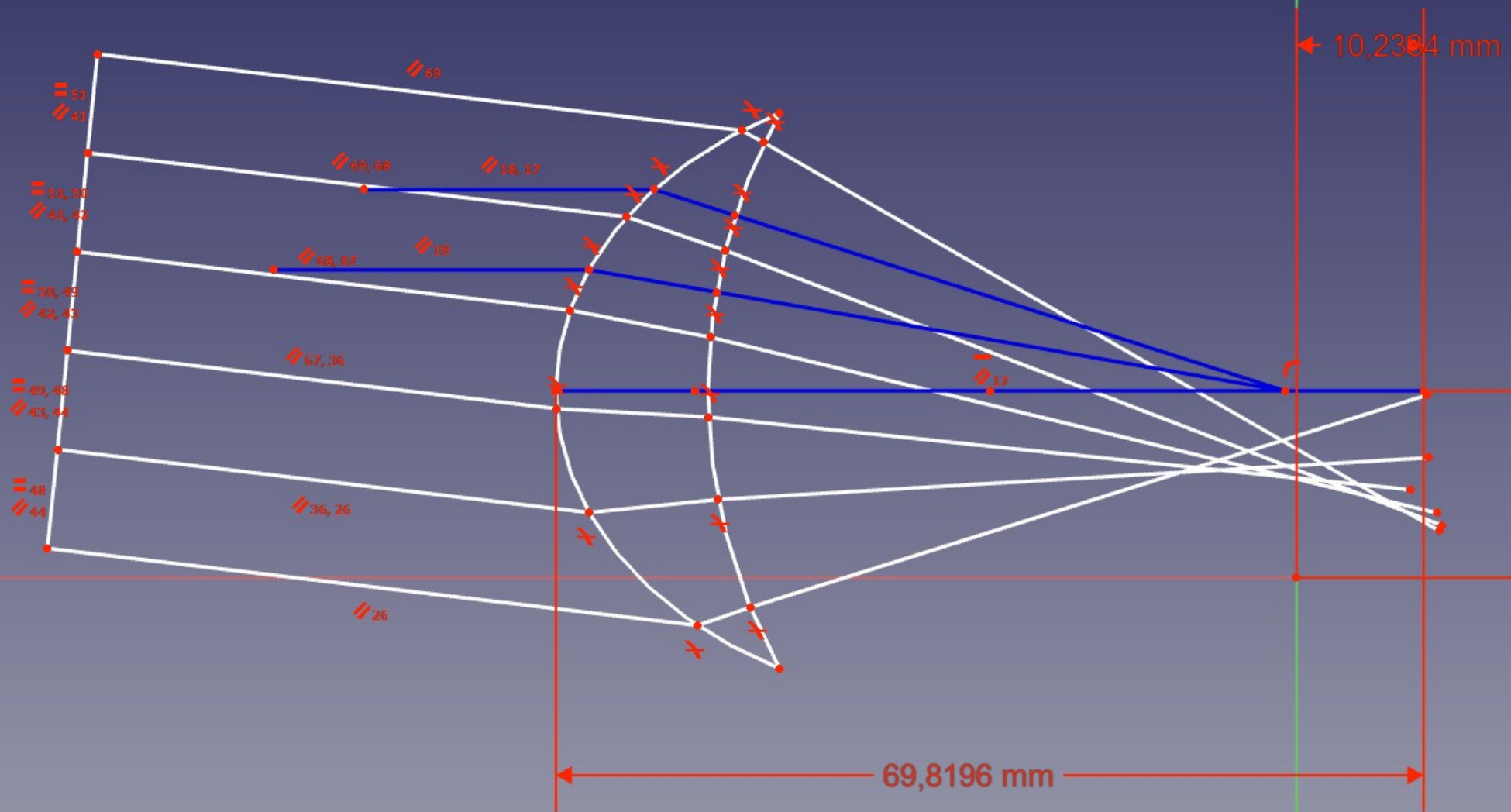
```
Active view is Unnamed : 1[*] (at 0x47ec120)
Active document is Unnamed (at 0x47ea180)
Active view is Unnamed : 1[*] (at 0x47ec120)
Sel : Clear selection
No active document
Active view is Unnamed : 1[*] (at 0x638a580)
```

Python console

```
Type 'help', 'copyright', 'credits' or 'license' for more information.
>>> App.setActiveDocument("Unnamed")
>>> App.ActiveDocument=App.getDocument("Unnamed")
>>> Gui.ActiveDocument=Gui.getDocument("Unnamed")
>>> App.closeDocument('Unnamed')
```









Combo-Ansicht

Model Aufgaben

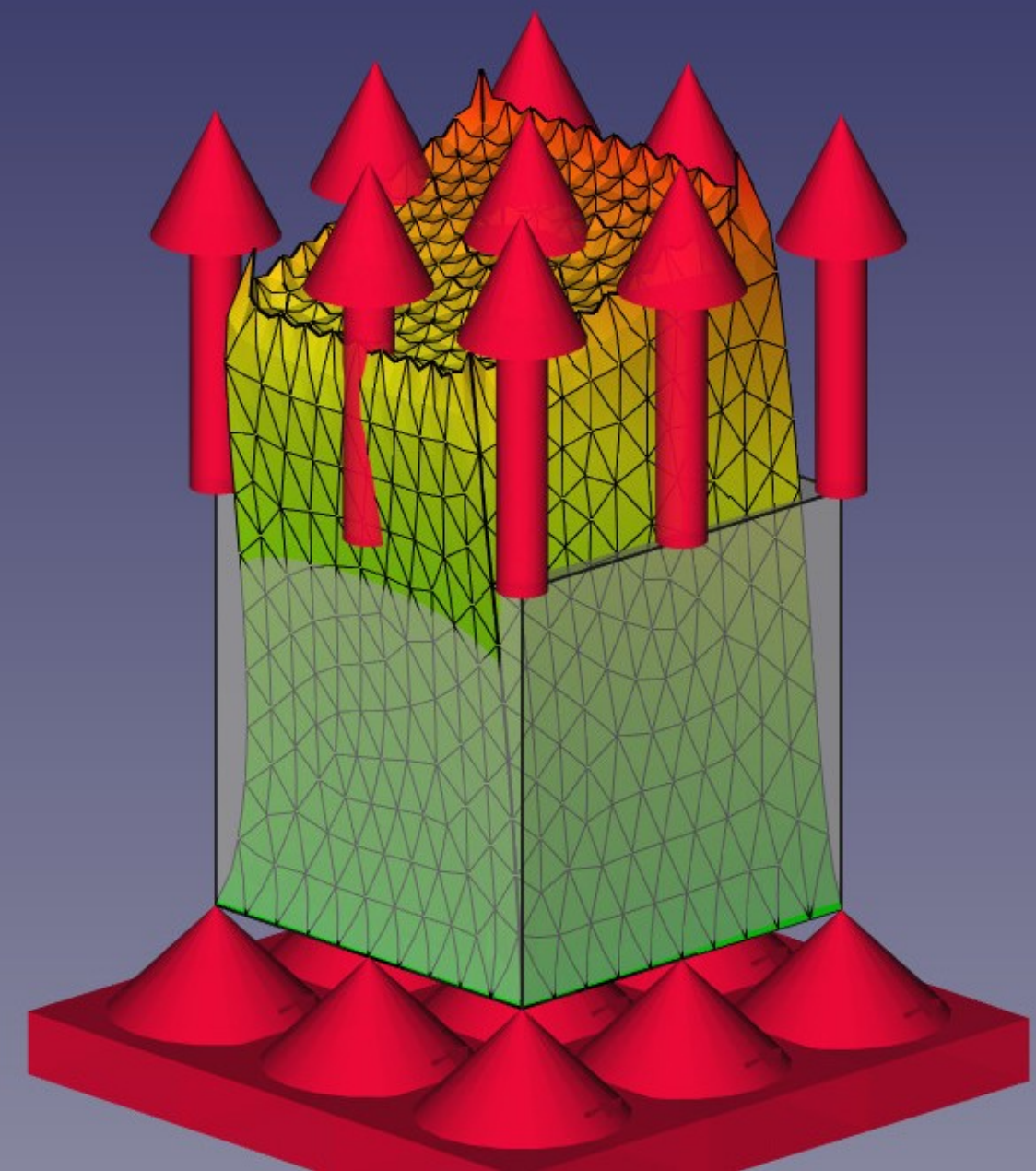
Bezeichnungen & Eigenschaften

Applikation

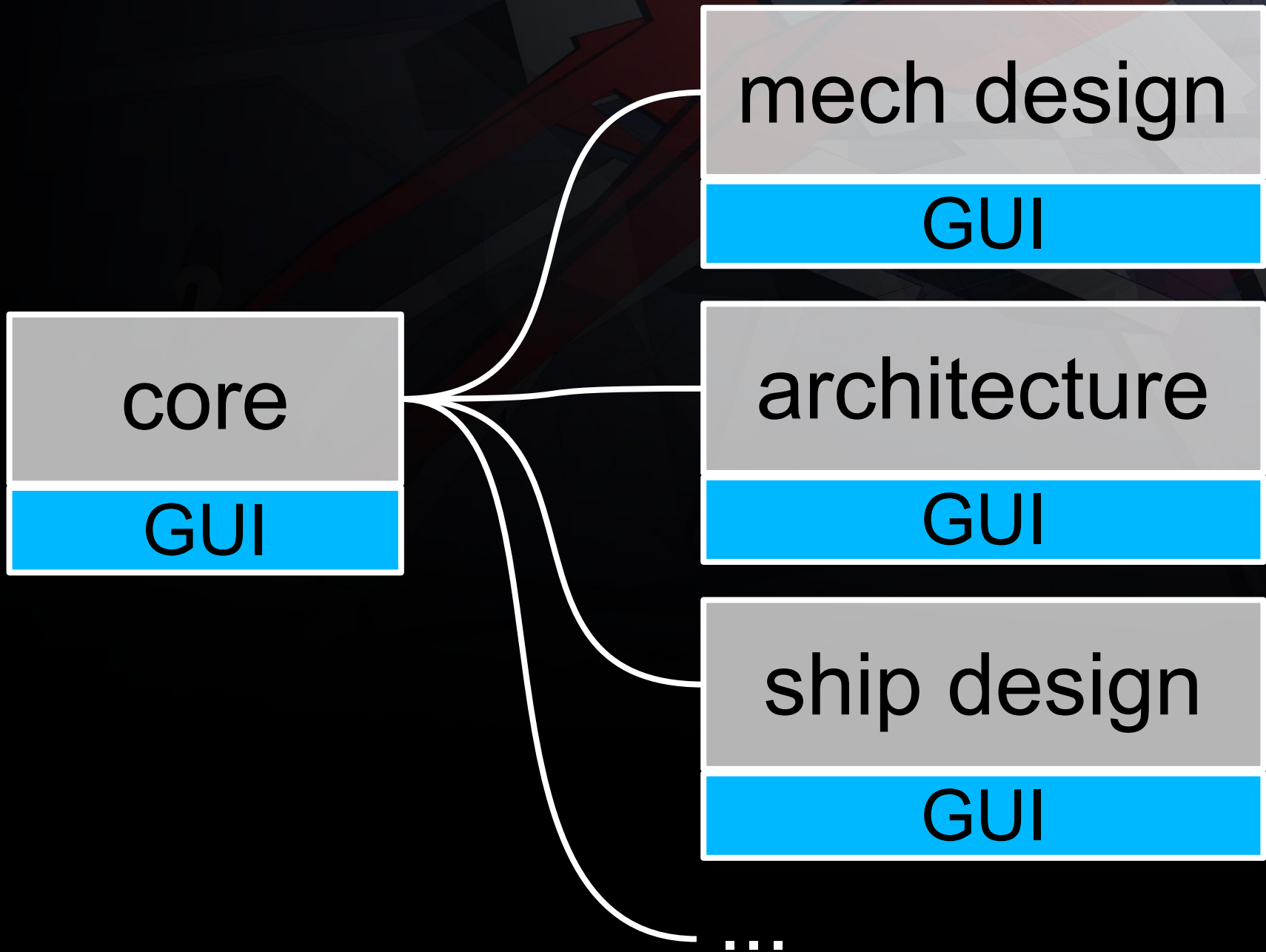
- Unnamed
 - Quader
 - MechanicalAnalysis
 - Box_Mesh
 - FemConstraintForce
 - FemConstraintFixed
 - MechanicalMaterial
 - Displacement
 - MisesStress

Eigenschaft	Wert
-------------	------

Base	
Display Mode	
Visibility	false



Modularity



Multi paradigm

- Core provides only a container for modules and a 3D viewer
- The type of objects that can be contained in a FreeCAD document are defined in modules
- Any kind of stuff can coexist in a same document

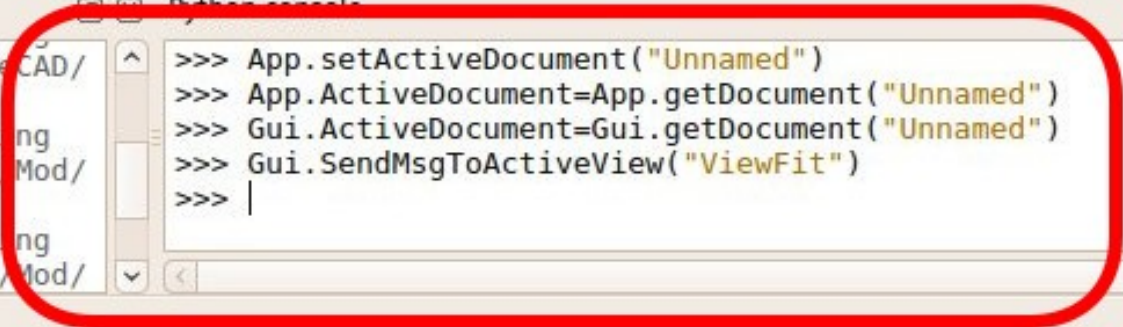
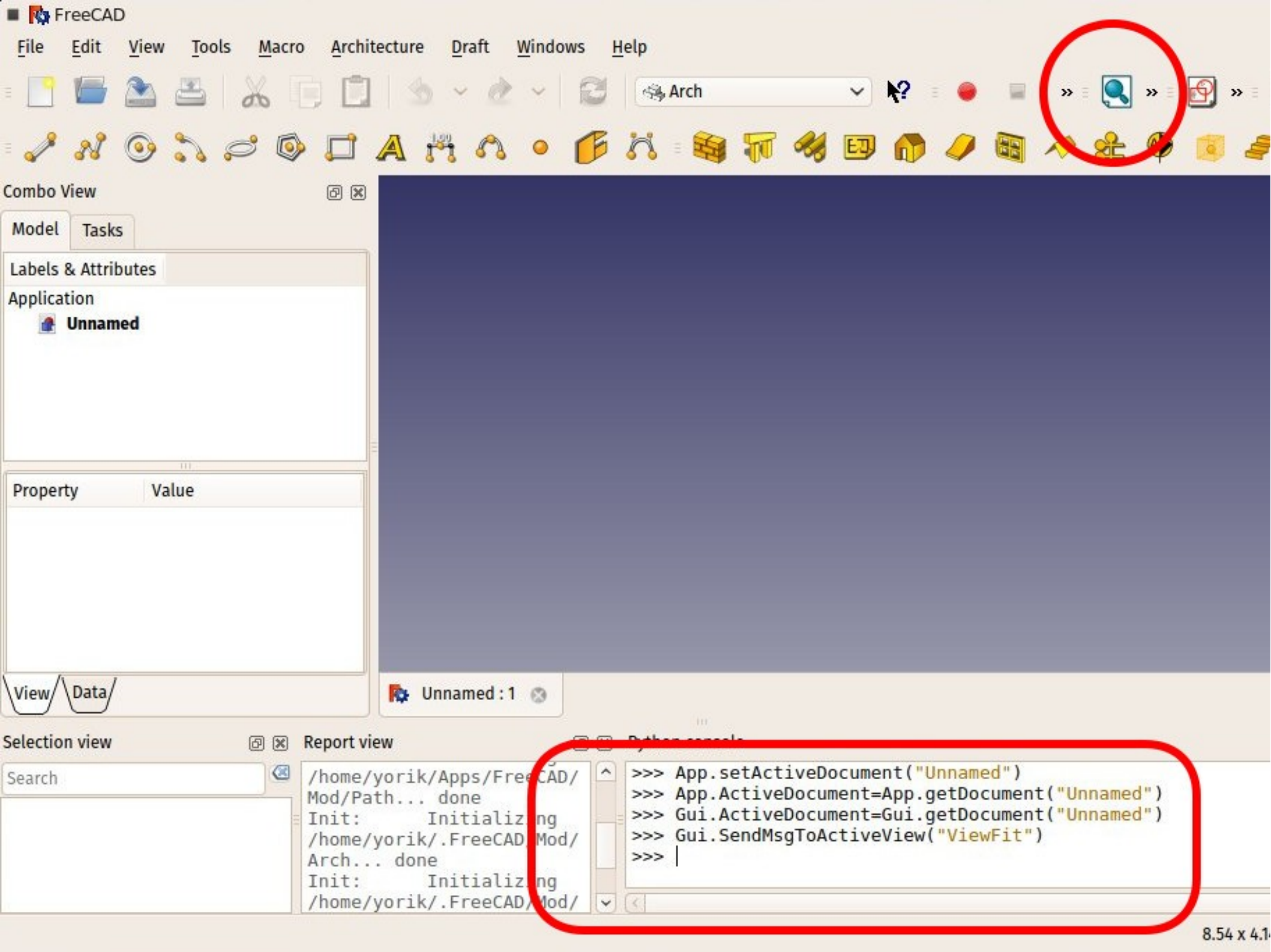
Heavy dependencies

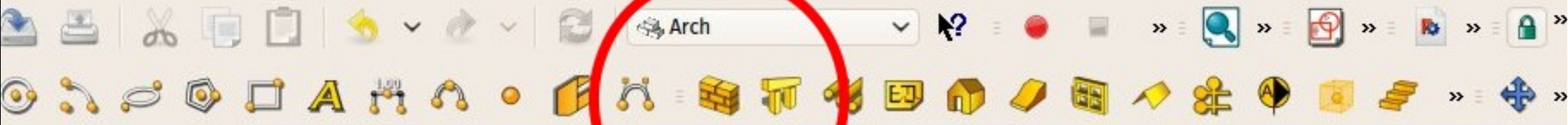
- Qt (interface)
- Python (scripting & more)
- OpenCasCade (geometry kernel)
- OpenInventor/Coin3D (3D display)

- Many more, each module has its own: KDL, IfcOpenShell, matplotlib, openSCAD, etc...

Python everywhere

- The “glue” between “core” and GUI
- Some modules fully written in python
- The user can access just anything, and therefore gain the powers of a ~~GOD~~ full C++ developer
- Learn while doing



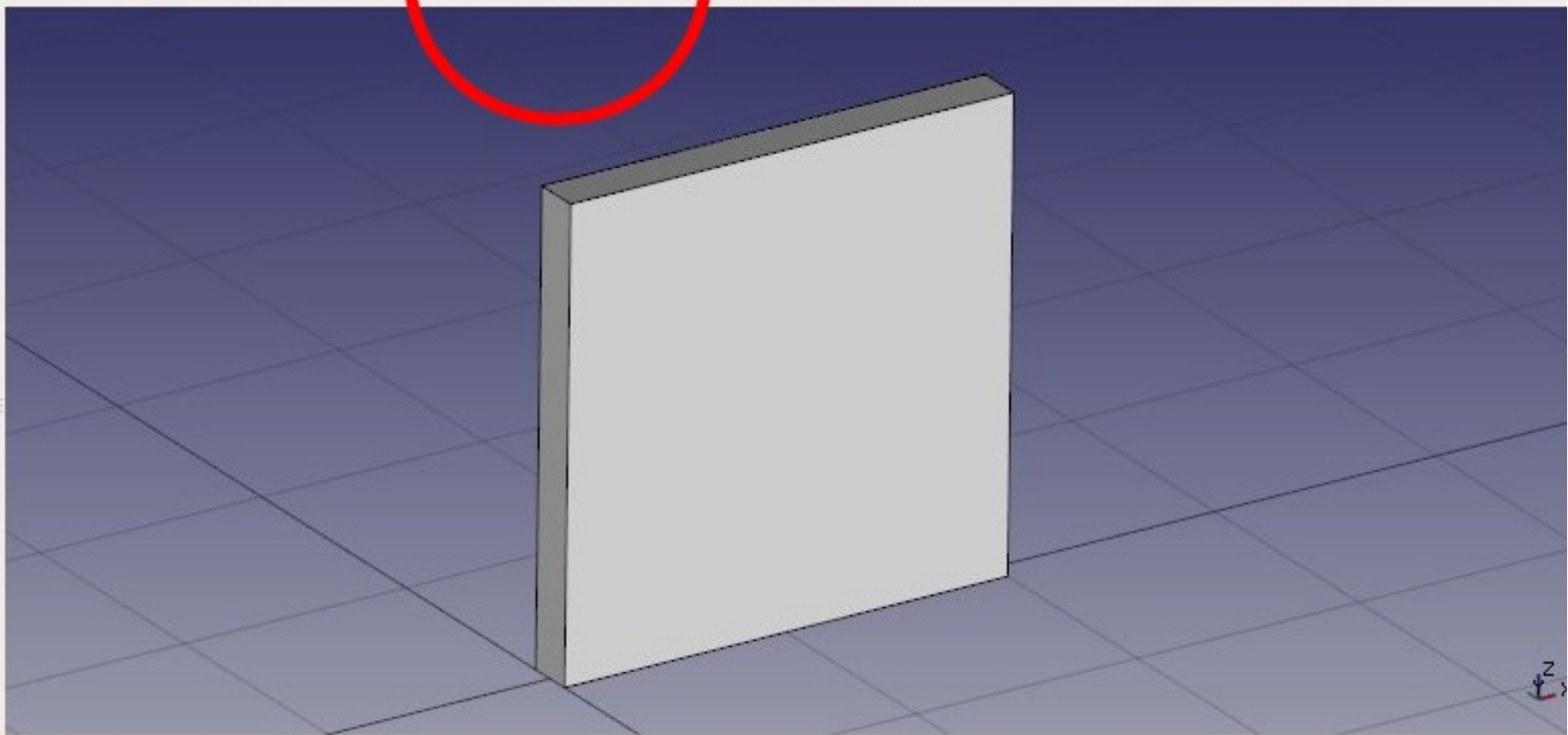


Properties panel for a wall object. It includes a 'Value' section with a scrollable list of values: 0, 2 m, 0 mm, false, and [0.00 0.00 0.00]. Below this is a 'Report view' section showing the object's name and a list of selected edges.

Value
0
2 m
0 mm
false
[0.00 0.00 0.00]

Report view

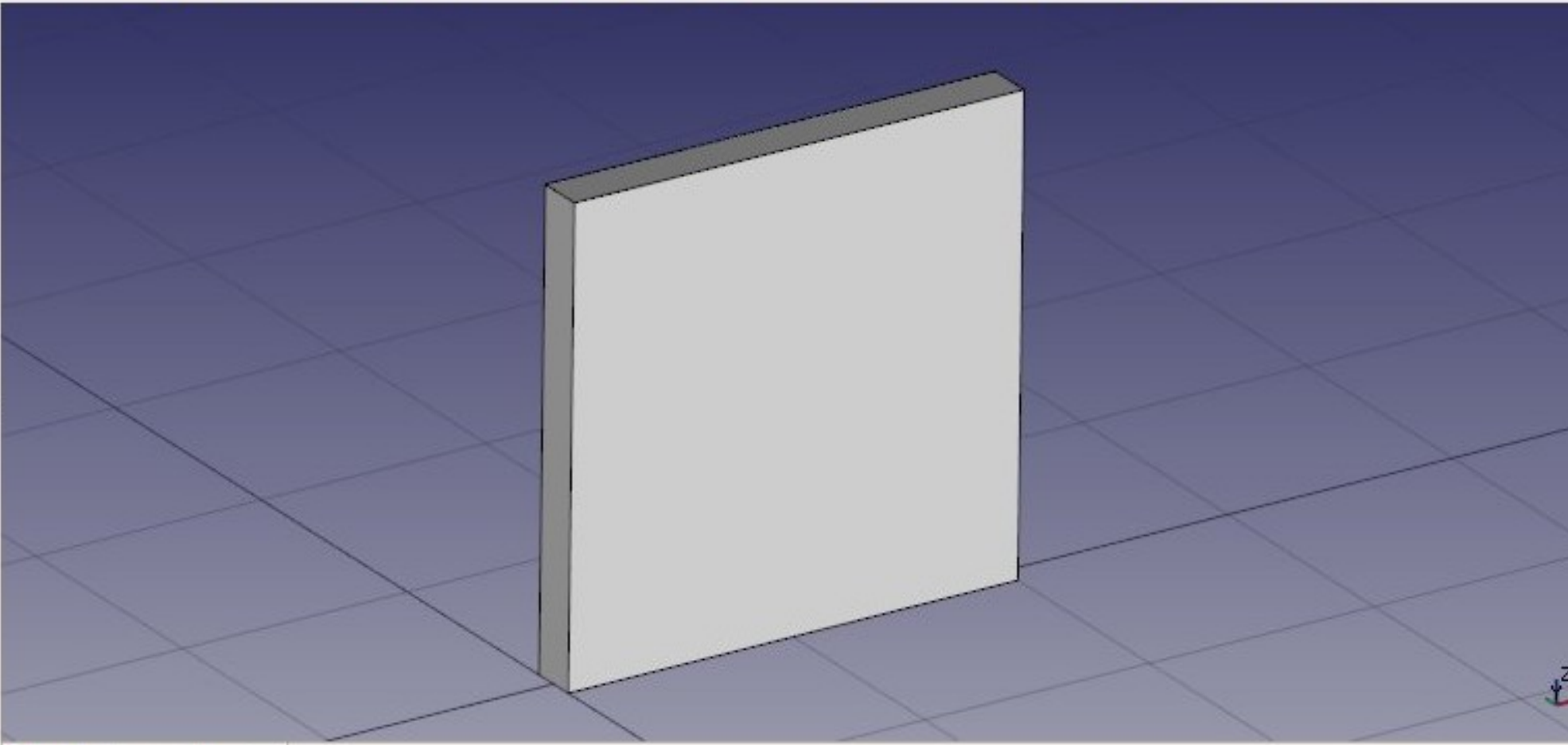
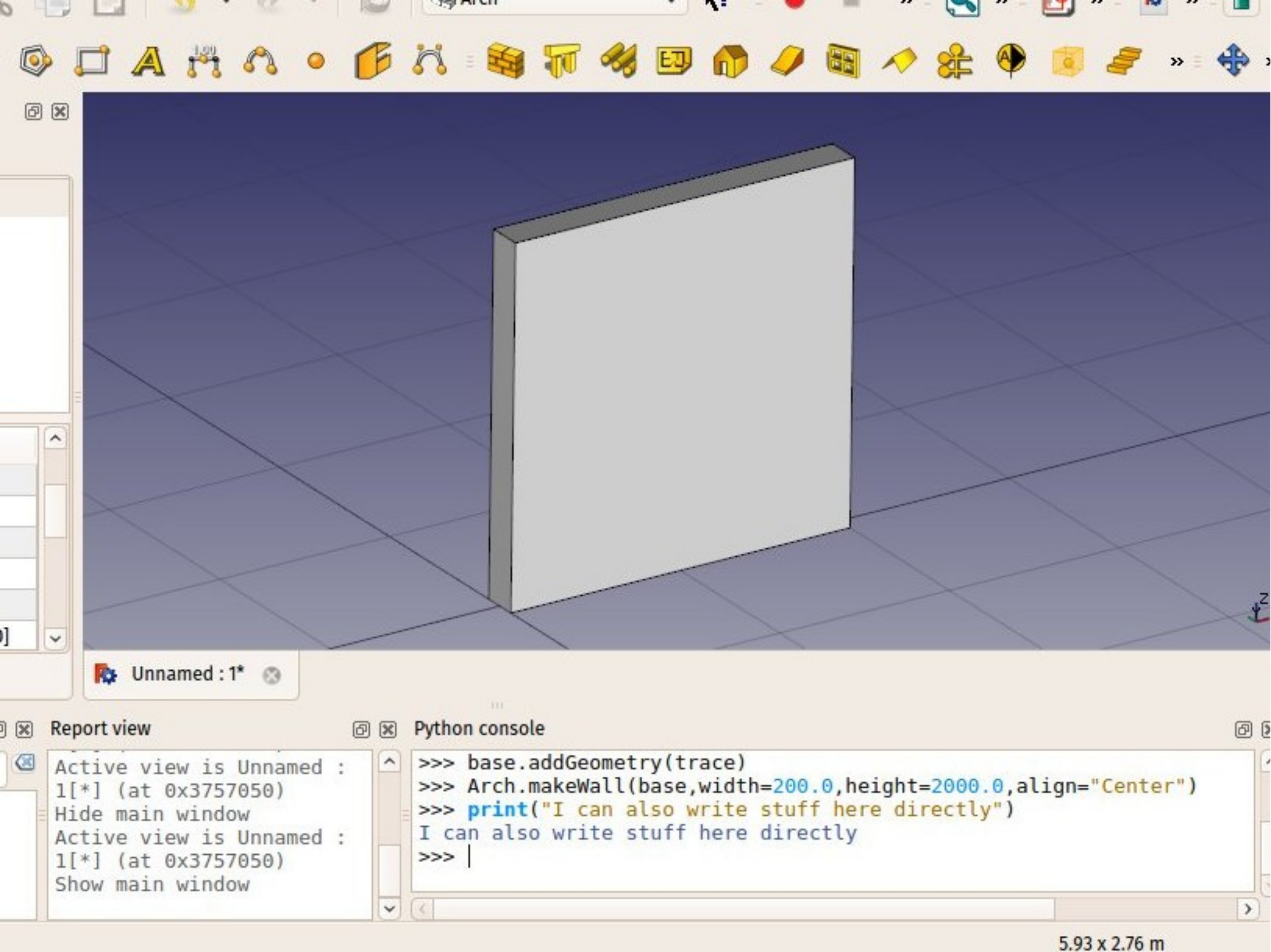
- Sel : Clear selection
- Sel : Clear selection
- Sel : Add Selection
- "Unnamed.Wall.Edge11(2000.000000, -30.972521, 0.000000)"



Unnamed : 1*

```
>>> import Part
>>> trace=Part.Line(FreeCAD.Vector (0.0, 0.0, 0.0),FreeCAD.Vector 20
>>> base=FreeCAD.ActiveDocument.addObject("Sketcher::SketchObject" "W
>>> base.addGeometry(trace)
>>> Arch.makeWall(base,width=200.0,height=2000.0,align="Center")
>>>
```

Edge11 (Wall)



Unnamed : 1*

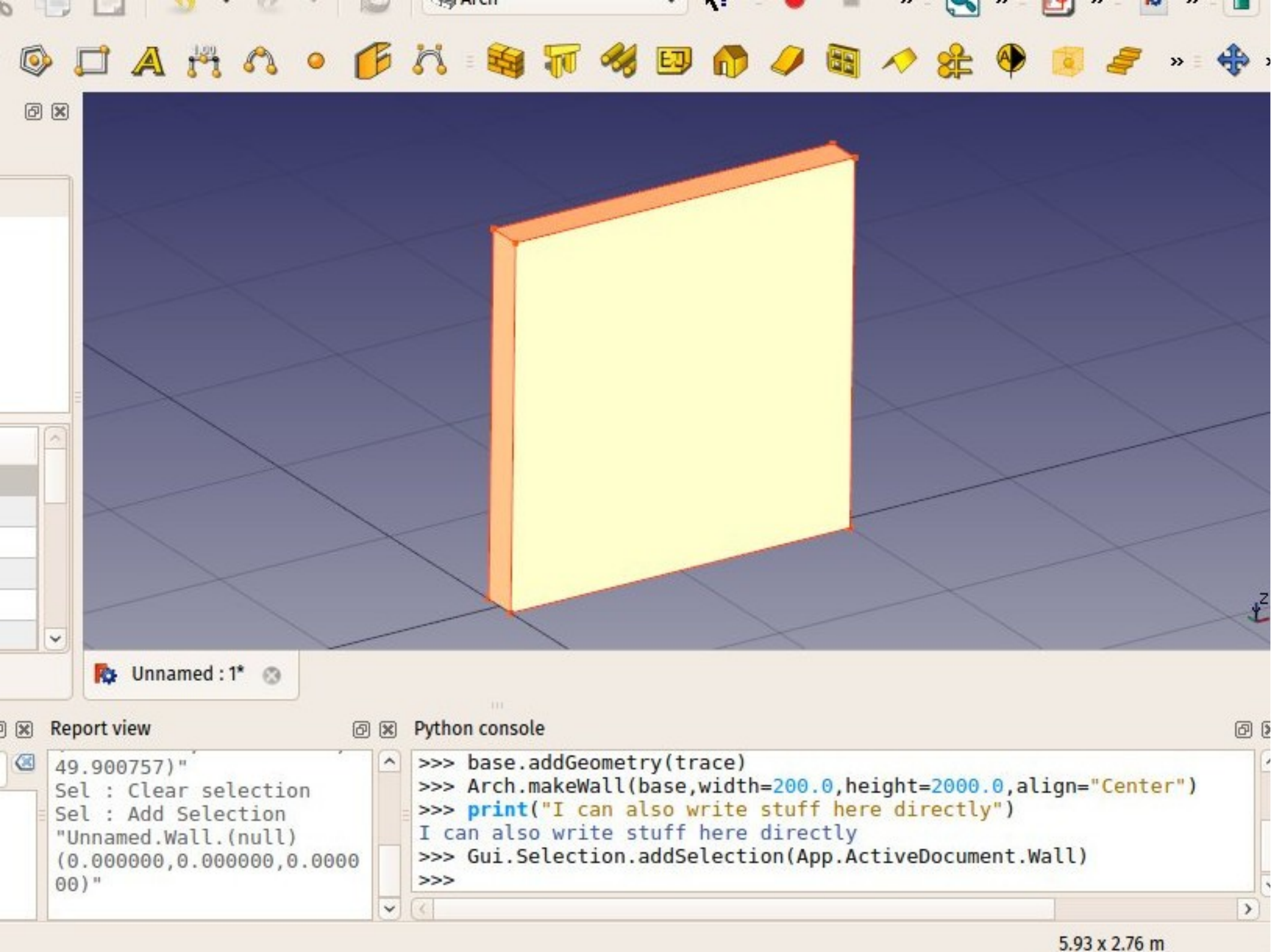
Report view

Python console

```
Active view is Unnamed :  
1[*] (at 0x3757050)  
Hide main window  
Active view is Unnamed :  
1[*] (at 0x3757050)  
Show main window
```

```
>>> base.addGeometry(trace)  
>>> Arch.makeWall(base,width=200.0,height=2000.0,align="Center")  
>>> print("I can also write stuff here directly")  
I can also write stuff here directly  
>>> |
```

5.93 x 2.76 m



Unnamed : 1*

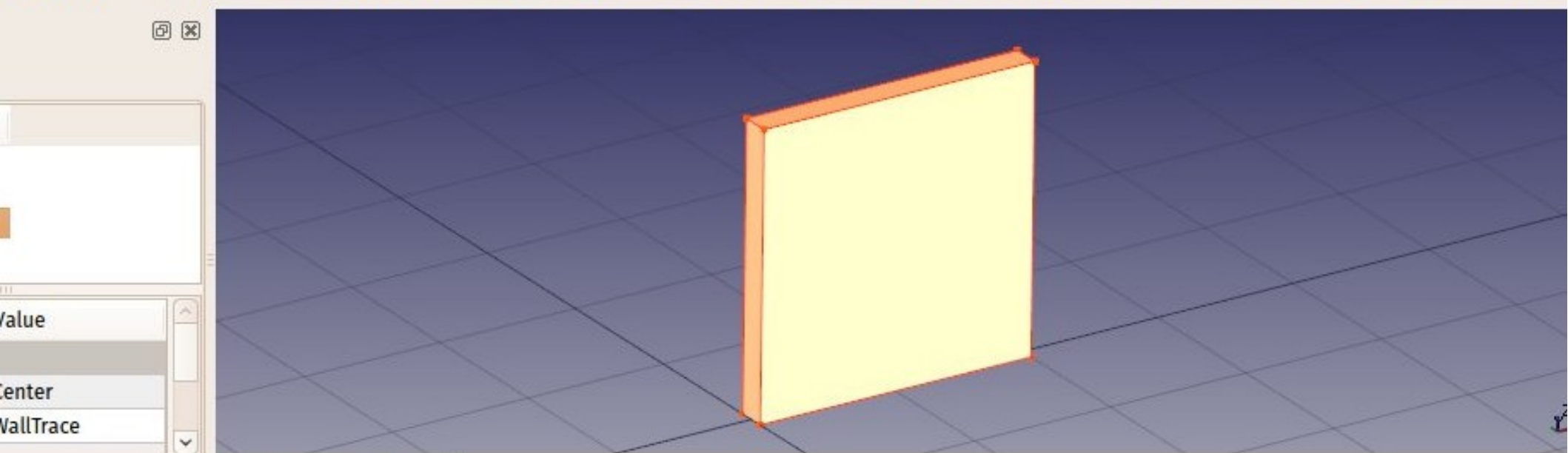
Report view

```
49.900757)"  
Sel : Clear selection  
Sel : Add Selection  
"Unnamed.Wall.(null)  
(0.000000,0.000000,0.000000)"
```

Python console

```
>>> base.addGeometry(trace)  
>>> Arch.makeWall(base,width=200.0,height=2000.0,align="Center")  
>>> print("I can also write stuff here directly")  
I can also write stuff here directly  
>>> Gui.Selection.addSelection(App.ActiveDocument.Wall)  
>>>
```

5.93 x 2.76 m



Value

Center

WallTrace

Unnamed : 1*

Report view

Active view is Unnamed : 1[*] (at 0x3757050)

Show main window

Active view is Unnamed : 1[*] (at 0x3757050)

Active view is Unnamed : 1[*] (at 0x3757050)

Active view is Unnamed : 1[*] (at 0x3757050)

Active view is Unnamed : 1[*] (at 0x3757050)

Hide main window

Active view is Unnamed : 1[*] (at 0x3757050)

Show main window

Active view is Unnamed : 1[*] (at 0x3757050)

```

>>> poin
>>> Draf
>>> App.
>>> impo
>>> impo
>>> trac
>>> base
>>> base
>>> Arch
>>> prin
I can al
>>> Gui.
>>> Gui.

```

```

__doc__
__name__
__package__
activateWorkbench
activeDocument
activeWorkbench
addCommand

```

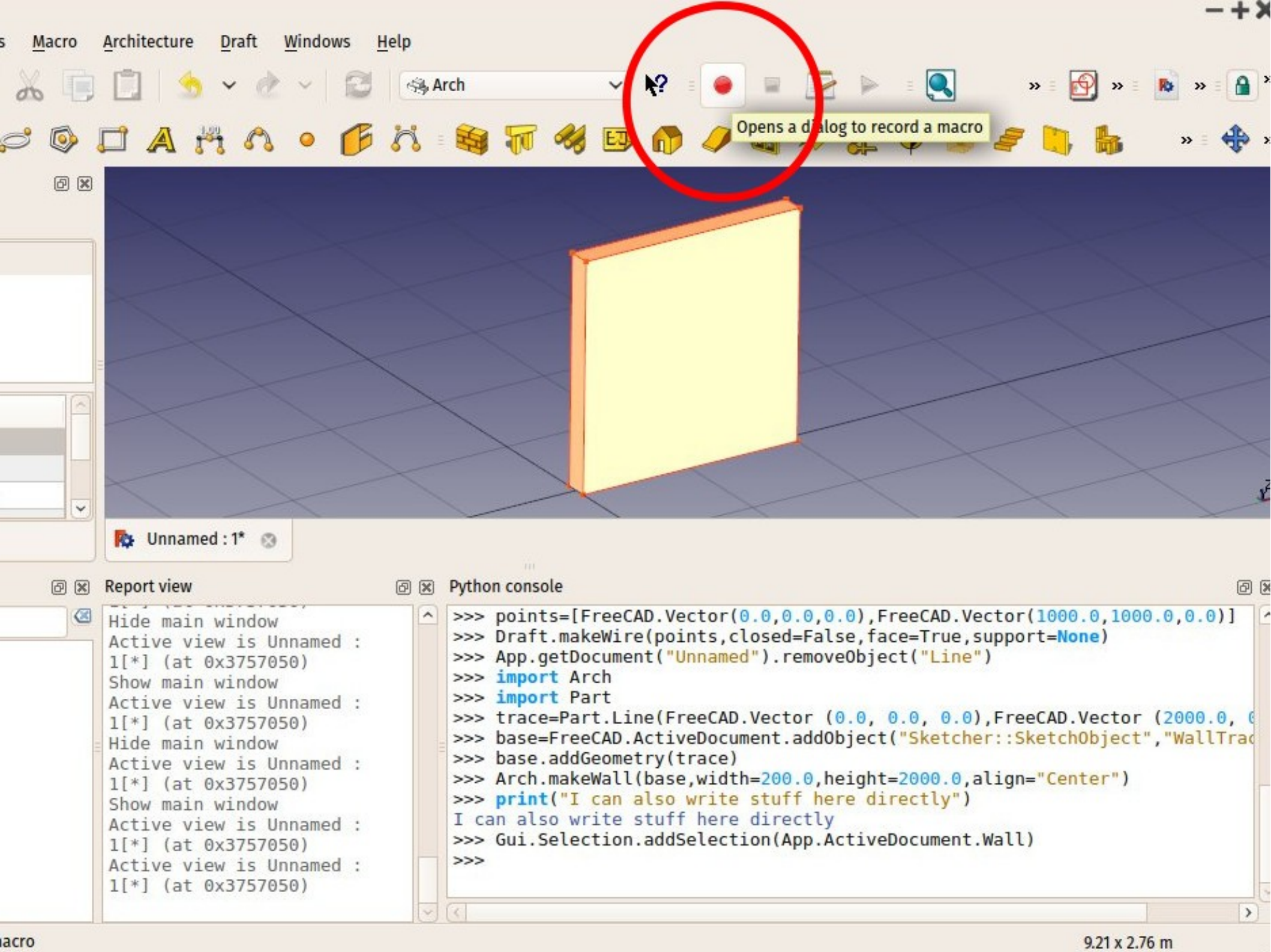
```

FreeCAD.Vector(1000.0,1000.0,0
force=True,support=None)
ect("Line")
FreeCAD.Vector(2000
("Sketcher::SketchObject","Wal
=2000.0,align="Center")

```

activeDocument() -> object or None

Return the active document or None if no one exists





ites

d

Value

Macro recording [X]

Macro name:

Macro path:

 ...

Record Stop Cancel

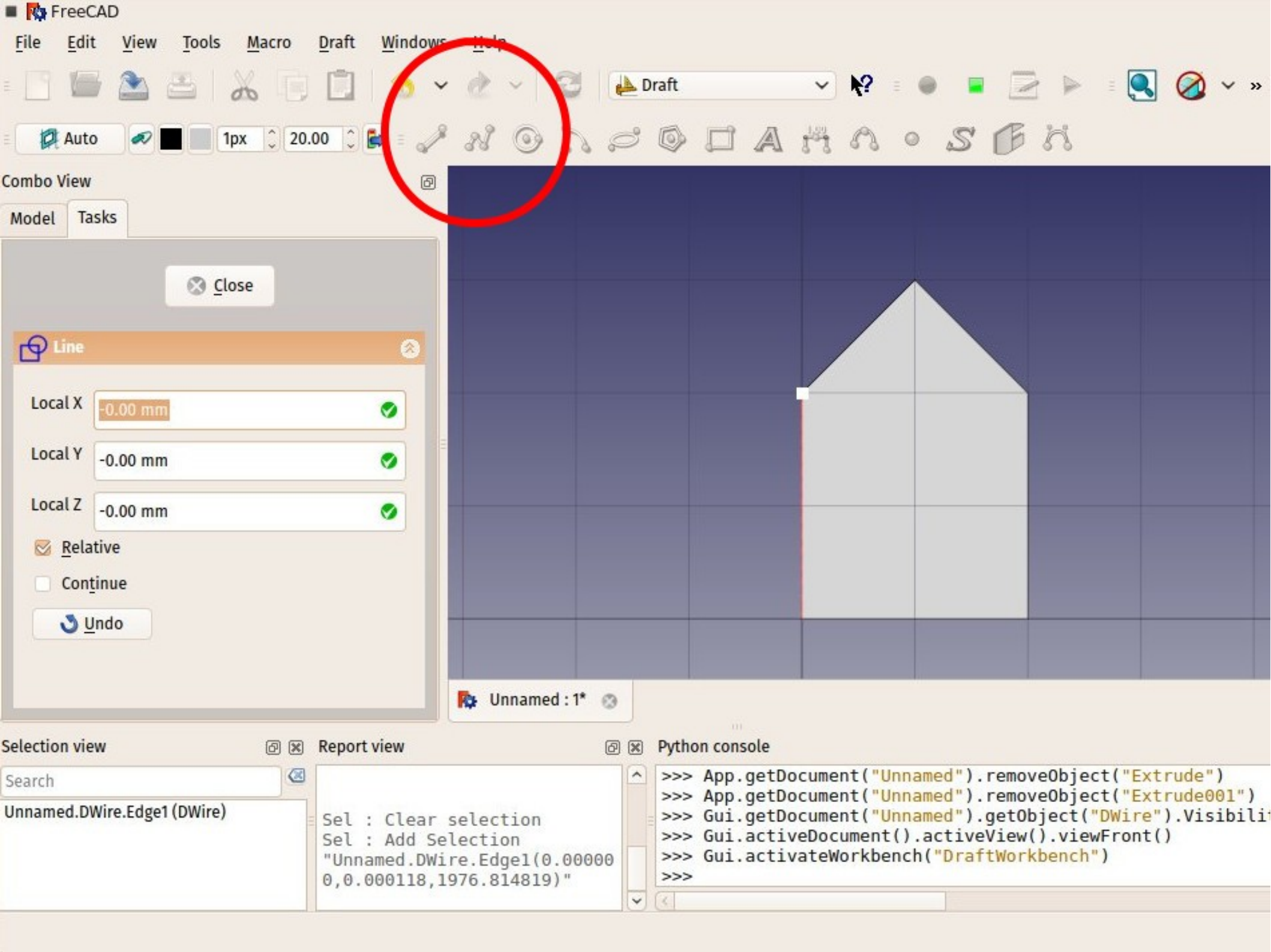
Unnamed : 1*

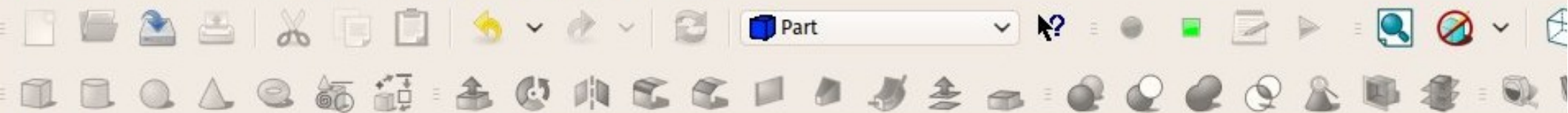
Report view

```
Show main window
Active view is Unnamed :
1[*] (at 0x3757050)
Sel : Clear selection
Sel : Rmv Selection
"Unnamed.Wall.(null)"
```

Python console

```
I can also write stuff here directly
>>> Gui.Selection.addSelection(App.ActiveDocument.Wall)
>>> App.getDocument("Unnamed").removeObject("Wall")
>>> App.getDocument("Unnamed").removeObject("WallTrace")
>>> Gui.activeDocument().activeView().viewTop()
>>>
```





Combo View

Model Tasks

Apply

Close

OK

Extrude

Direction

X: 0.00

Y: 0.00

Z: 1.00

Length: 3000.00

 Along normal

Note: This option works for planes only

 Create solid

Unnamed : 1*

Selection view

Search

Unnamed.Extrude (Extrude)

Report view

```
1[*] (at 0x3757050)
Sel : Clear selection
Sel : Add Selection
"Unnamed.DWire.Face1(1319.80
3467,0.000072,1208.478760)"
```

Python console

```
>>>
>>> Gui.ActiveDocument.Extrude001.ShapeColor=Gui.ActiveDocum
>>> Gui.ActiveDocument.Extrude001.LineColor=Gui.ActiveDocume
>>> Gui.ActiveDocument.Extrude001.PointColor=Gui.ActiveDocum
>>> Gui.getDocument("Unnamed").getObject("Extrude").Visibili
>>>
```



```

1 # Macro Begin: /home/yorik/.FreeCAD/house-o-matic.FCMacro ++++++
2 import FreeCAD
3 import Part
4
5 #Gui.activeDocument().activeView().viewFront()
6 points=[FreeCAD.Vector(0.0,0.0,0.0),FreeCAD.Vector(0.0,0.000119209296656,2000.0),FreeCAD.Vector(1000.0,0.0,0.0)]
7 Draft.makeWire(points,closed=True,face=True,support=None)
8 #Gui.activateWorkbench("PartWorkbench")
9 FreeCAD.getDocument("Unnamed").addObject("Part::Extrusion","Extrude")
10 FreeCAD.getDocument("Unnamed").Extrude.Base = FreeCAD.getDocument("Unnamed").DWire
11 FreeCAD.getDocument("Unnamed").Extrude.Dir = (0,-3000,0)
12 FreeCAD.getDocument("Unnamed").Extrude.Solid = (False)
13 FreeCAD.getDocument("Unnamed").Extrude.TaperAngle = (0)
14 FreeCADGui.getDocument("Unnamed").DWire.Visibility = False
15 FreeCAD.getDocument("Unnamed").Extrude.Label = 'Extrude'
16
17 #Gui.ActiveDocument.Extrude.ShapeColor=Gui.ActiveDocument.DWire.ShapeColor
18 #Gui.ActiveDocument.Extrude.LineColor=Gui.ActiveDocument.DWire.LineColor
19 #Gui.ActiveDocument.Extrude.PointColor=Gui.ActiveDocument.DWire.PointColor
20
21 # Macro End: /home/yorik/.FreeCAD/house-o-matic.FCMacro ++++++
    
```

Report view

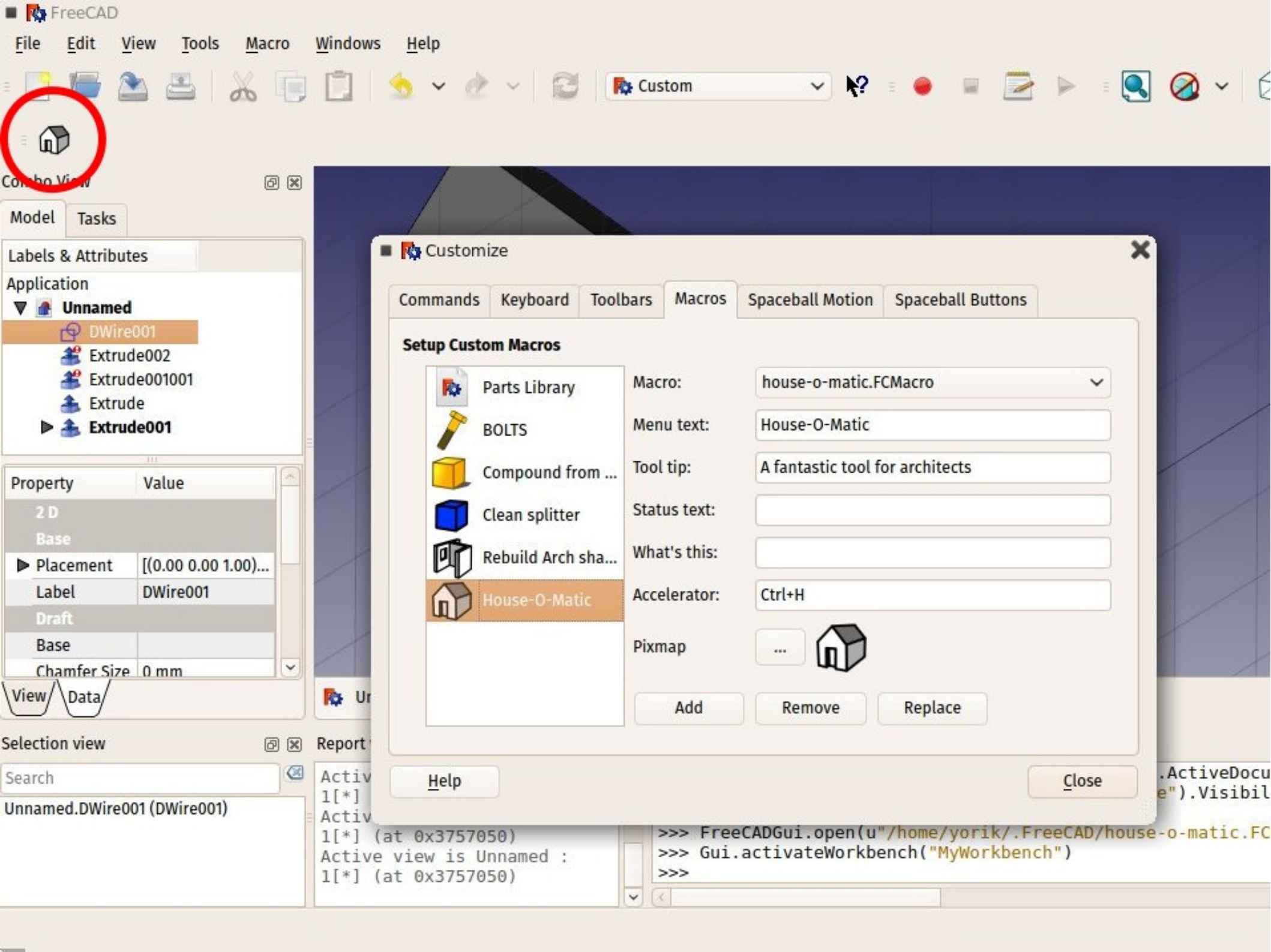
```

(at 0x5562bb0)
Show main window
Active view is
/home/yorik/.FreeCAD/house-
o-matic.FCMacro[*] - Editor
(at 0x5562bb0)
    
```

Python console

```

>>> Gui.ActiveDocument.Extrude001.LineColor=Gui.ActiveDocument.DWire.LineColor
>>> Gui.ActiveDocument.Extrude001.PointColor=Gui.ActiveDocument.DWire.PointColor
>>> Gui.getDocument("Unnamed").getObject("Extrude").Visibility=False
>>> import FreeCADGui
>>> FreeCADGui.open(u"/home/yorik/.FreeCAD/house-o-matic.FCMacro")
>>>
    
```



Model Tasks

- Labels & Attributes
- Application
- ▼ Unnamed
 - DWire001
 - Extrude002
 - Extrude001001
 - Extrude
 - ▶ Extrude001

Property	Value
2 D	
Base	
▶ Placement	[(0.00 0.00 1.00)...
Label	DWire001
Draft	
Base	
Chamfer Size	0 mm

View Data

Selection view

Search

Unnamed.DWire001 (DWire001)

Customize

Commands Keyboard Toolbars **Macros** Spaceball Motion Spaceball Buttons

Setup Custom Macros

- Parts Library Macro: house-o-matic.FCMacro
- BOLTS Menu text: House-O-Matic
- Compound from ... Tool tip: A fantastic tool for architects
- Clean splitter Status text:
- Rebuild Arch sha... What's this:
- House-O-Matic** Accelerator: Ctrl+H
- Pixmap: [house icon]

Add Remove Replace

Help Close

```
Report
Activ
1[*]
Activ
1[*] (at 0x3757050)
Active view is Unnamed :
1[*] (at 0x3757050)
>>> FreeCADGui.open(u"/home/yorik/.FreeCAD/house-o-matic.FCM
>>> Gui.activateWorkbench("MyWorkbench")
>>>
```




Recording?

wait... that means...

A fatal exception 0E has occurred at 0028:C00069F8 in UxD UMM(01) + 000059F8. The current application will be terminated.

- * Press any key to terminate the current application.
- * Press CTRL+ALT+DEL to restart your computer. You will lose any unsaved information in all applications.

Press any key to continue _



Your work can be replayed



Separation between “core” and GUI?

wait... that means...



Yes.

```
>>> import FreeCAD
```

- FreeCAD runs fully without the GUI
- It is embeddable in other apps with one line of code
- All its modules still work (without their GUI too)
- It can then act as a (web) server
- It could have other GUIs



Tool Options

Blend

Mode: Normal

Opacity

Gradient

FG to BG (RGB)

Shape: Linear

Repeat: None

Offset

Dithering

Adaptive supersampling

```
Python Console
```

```
GIMP 2.8.14 Python Console
Python 2.7.8 (default, Oct 18 2014, 12:50:18)
[GCC 4.9.1]
>>> import sys
>>> sys.path.append("/home/yorik/Apps/FreeCAD/lib")
>>> import FreeCAD
>>> doc = FreeCAD.newDocument()
>>> doc
<Document object at 0x1d465a0>
>>> import Part
>>> myLine = Part.makeLine( (0,0,0), (2,3,0) )
>>> myLine
<Edge object at 0x1d5a5c0>
>>> myLine.Curve
<Line (0,0,0) (2,3,0) >
>>> |
```

Help Save Clear Browse... Close

Mode: Normal

Opacity: 100.0

Lock

Color palette with H, S, V, R, G, B sliders



GRASS GIS 6.4.4 Layer Manager



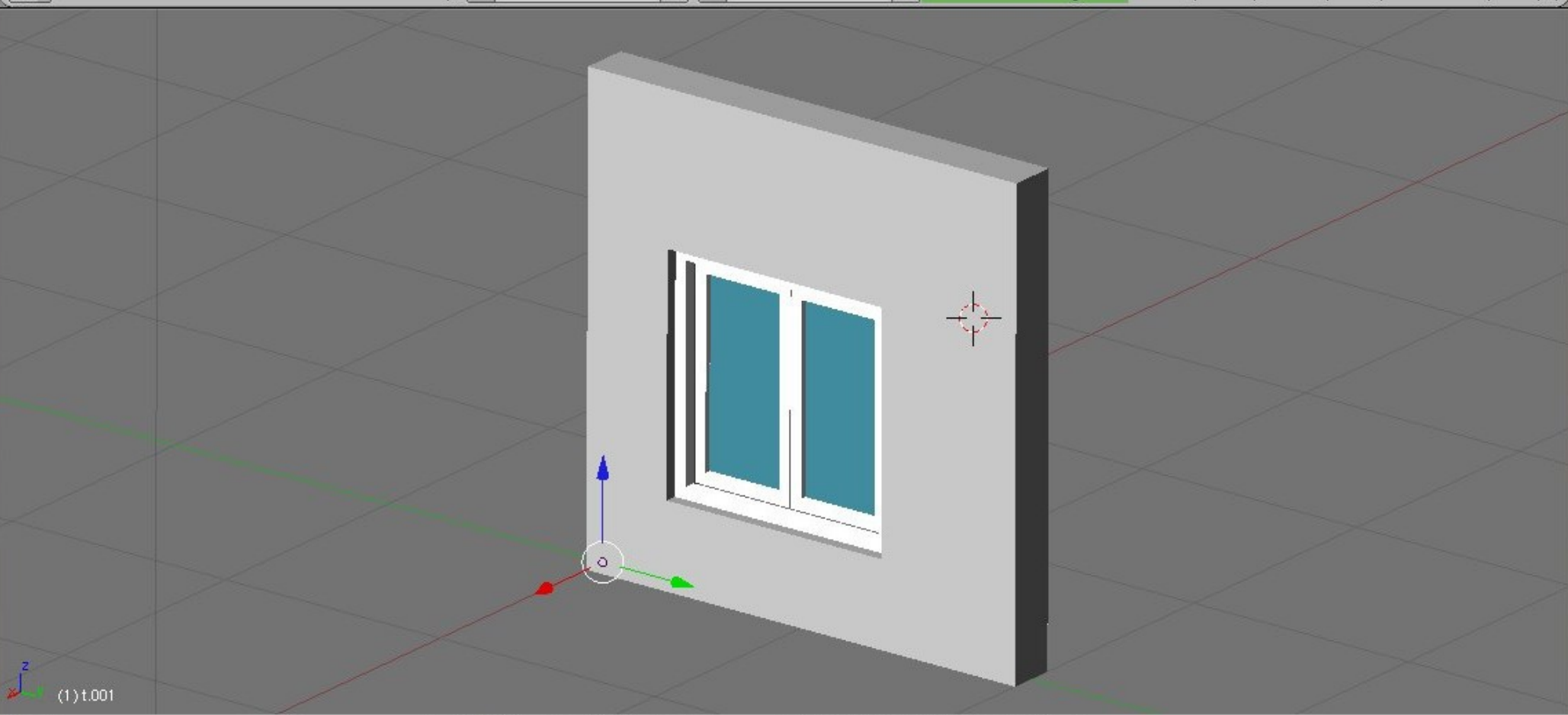
File Settings Raster Vector Imagery Volumes Database Help



```
Python 2.7.8 (default, Oct 18 2014, 12:50:18)
[GCC 4.9.1] on linux2
Type "help", "copyright", "credits" or "license" for
more information.
>>> import sys
>>> sys.path.append("/home/yorik/Apps/FreeCAD/lib")
None
>>> import FreeCAD
>>> dir(FreeCAD)
['ActiveDocument', 'Axis', 'Base', 'BoundingBox',
'ConfigDump', 'ConfigGet', 'ConfigSet', 'Console',
'EndingAdd', 'EndingGet', 'GuiUp', 'Matrix', 'ParamGet',
'Placement', 'Rotation', 'Units', 'Vector', 'Version',
'__doc__', '__file__', '__name__', '__package__',
'__path__', 'activeDocument', 'addDocumentObserver',
'addExportType', 'addImportType', 'closeDocument',
'getDocument', 'getExportType', 'getHomePath',
'getImportType', 'getResourceDir', 'listDocuments',
'loadFile', 'newDocument', 'open', 'openDocument',
'removeDocumentObserver', 'setActiveDocument']
>>> myDoc = FreeCAD.newDocument("MyDocument")
>>> myDoc
<Document object at 0x326beb0>
>>> |
```

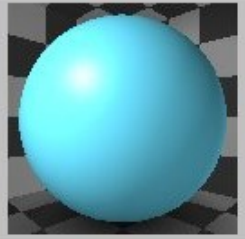
Clear

Map layers | Command console | Search module | Python shell



Blender interface toolbar with icons for View, Select, Object, Object Mode, and various manipulation tools.

Blender interface property panels including Preview, Material, Links and Pipeline, Shaders, and Texture.



Material panel showing properties like VCol Ligh, VCol Pain, TexFace, A, Shadeles, and color ramps for Col, Spe, and Mir.

Links and Pipeline panel showing Link to Object (MA:Material.002) and Render Pipeline options like Halo, ZTransp, Zoffs, Full Osa, Wire, Strands, ZInvert, Radio, OnlyCast, Traceable, and Shadbuf.

Shaders panel showing Lambert, Ref 0.80, Tangent, CookTo, Spec 0.50, Hard:50, GR, Exclusive, Tralu 0.00, SBias 0.0, Amb 0.50, Emit 0.38, and LBias 0.00.

Texture panel with an Add New button and a list of texture slots.

The web!

- Web applications that use FreeCAD in the background
- WebGL interfaces for FreeCAD
- Anything that has not yet been imagined

Why python, after all?

- Powerful C API, very easy to embed and make dialog with the C++ core
- Almost every lib has python bindings nowadays
- The open-source community is fond of it, easy adoption

Useful apps that use python

opensource

- Blender: yes
- Inkscape: yes
- OpenSCAM: yes
- GRASS: yes
- Salome: yes
- OpenSCAD: yes

...

proprietary

- Autocad: yes
- SolidWorks: no
- Catia: yes
- Rhino: yes
- SolidEdge: yes
- Revit: yes

...

Why would users want it?

- Making objects in real-life already involves a lot of tinkering
- Technical and precise 3D modeling quickly becomes very complex (lots of ways to do things)
- Paradigms evolve constantly



Now for some serious stuff...

Access the geometry kernel

via FreeCAD's own API

```
>>> import Part
```

```
>>> l = Part.makeLine((0,0,0), (2,2,0))
```

```
>>> Part.show(l)
```

```
>>> c = Part.makeBox(2,2,2)
```

```
>>> Part.show(c)
```


Access the geometry kernel

directly

```
>>> import OCC
>>> from OCC.BRepPrimAPI import
        BrepPrimAPI_MakeBox

>>> c = BrepPrimAPI_MakeBox(10, 20,
                            30).Shape()

>>> p = Part.__fromPythonOCC__(c)
>>> Part.show(p)
```


Access the interface

via Qt's own python libs

```
>>> from PySide import QtGui, QtCore
>>> mw = FreeCADGui.getMainWindow()
>>> d = QtGui.QDockWidget()
>>> d.setWidget(QtGui.QCalendarWidget())
>>> mw.addDockWidget(d)
```



Combo View

Model Tasks

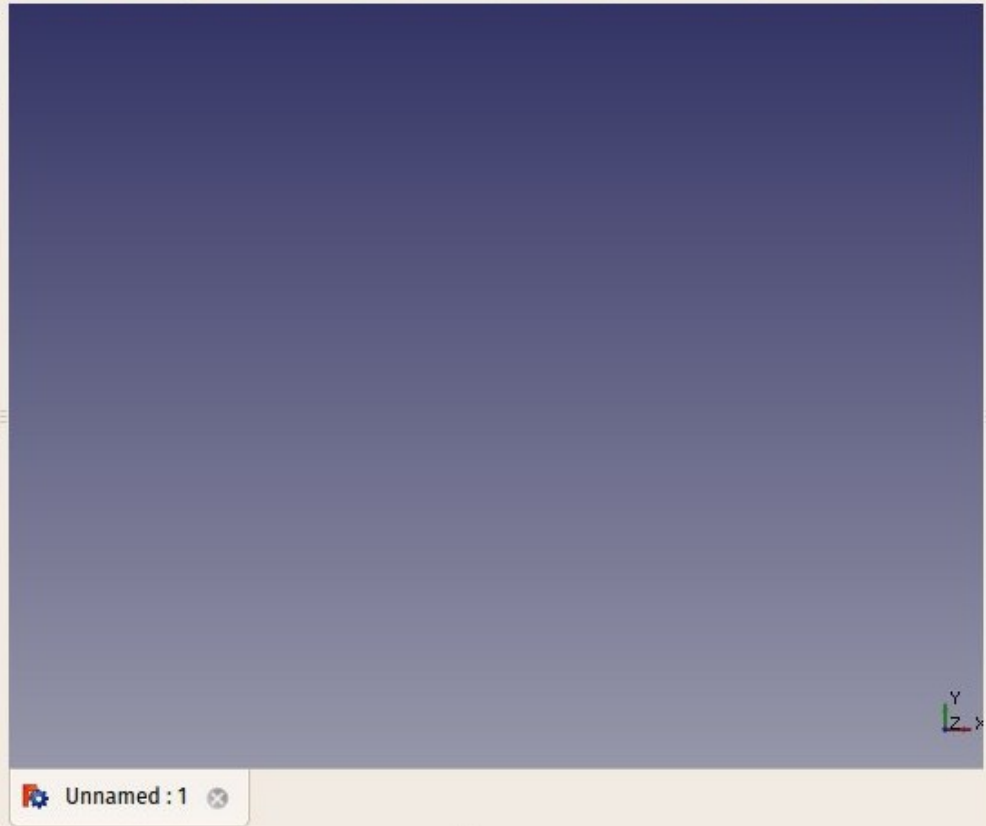
Labels & Attributes

Application

- Unnamed

Property	Value

View Data



Selection view

Search

Report view

```
Hide main window
Active view is Unnamed : 1[*] (at 0x4a3d210)
Show main window
Hide main window
Active view is Unnamed : 1[*] (at 0x4a3d210)
Show main window
Hide main window
```

Python console

```
>>> q=QtGui.QDockWidget(cal)
>>> mw.addDockWidget(QtCore.Qt.RightDockWidgetArea,q)
>>> q=QtGui.QDockWidget()
>>> q.setWidget(cal)
>>> mw.addDockWidget(QtCore.Qt.RightDockWidgetArea,q)
>>>
```



Combo View

Model Tasks

Labels & Attributes

Application

Unnamed

Property Value



Standard Parts Selector

Name	Description
▼ Collections	Ordered by collecti...
▼ I-Beam profiles (...)	various rolled i-be...
DIN1025-3	HEA profile, metric...
ibeam_heaa	HEAA profile, metri...
DIN1025-2	HEB profile, metric...
DIN1025-4	HEM profile, metric...
DIN1025-5	IPE profile, metric ...
EN19-57	IPE profile, metric ...
ibeam_ipe750	IPE 750 profile, me...
ibeam_ipea	IPEa profile, metric...
ibeam_ipeo	IPEo profile, metric...

Name: DIN1025-5

Description: IPE profile, metric european standard i-beam profile

Status: active

type: IPE200

l (mm): 3000

arch

Add part

Selection view

Search

Report view

```
0x4a3d210)
Show main window
Active view is Unnamed : 1[*] (at
0x4a3d210)
Active view is Unnamed : 1[*] (at
0x4a3d210)
```

Python console

```
>>> q=QtGui.QDockWidget(cal)
>>> mw.addDockWidget(QtCore.Qt.RightDockWidgetArea,q)
>>> q=QtGui.QDockWidget()
>>> q.setWidget(cal)
>>> mw.addDockWidget(QtCore.Qt.RightDockWidgetArea,q)
>>>
```

Access the OpenGL 3D view

via Coin3D's python lib

```
>>> from pivy import coin
>>> win = FreeCADGui.ActiveDocument.
        ActiveView.getSceneGraph()
>>> win.addChild(coin.SoCube())
```



Combo View

Model Tasks

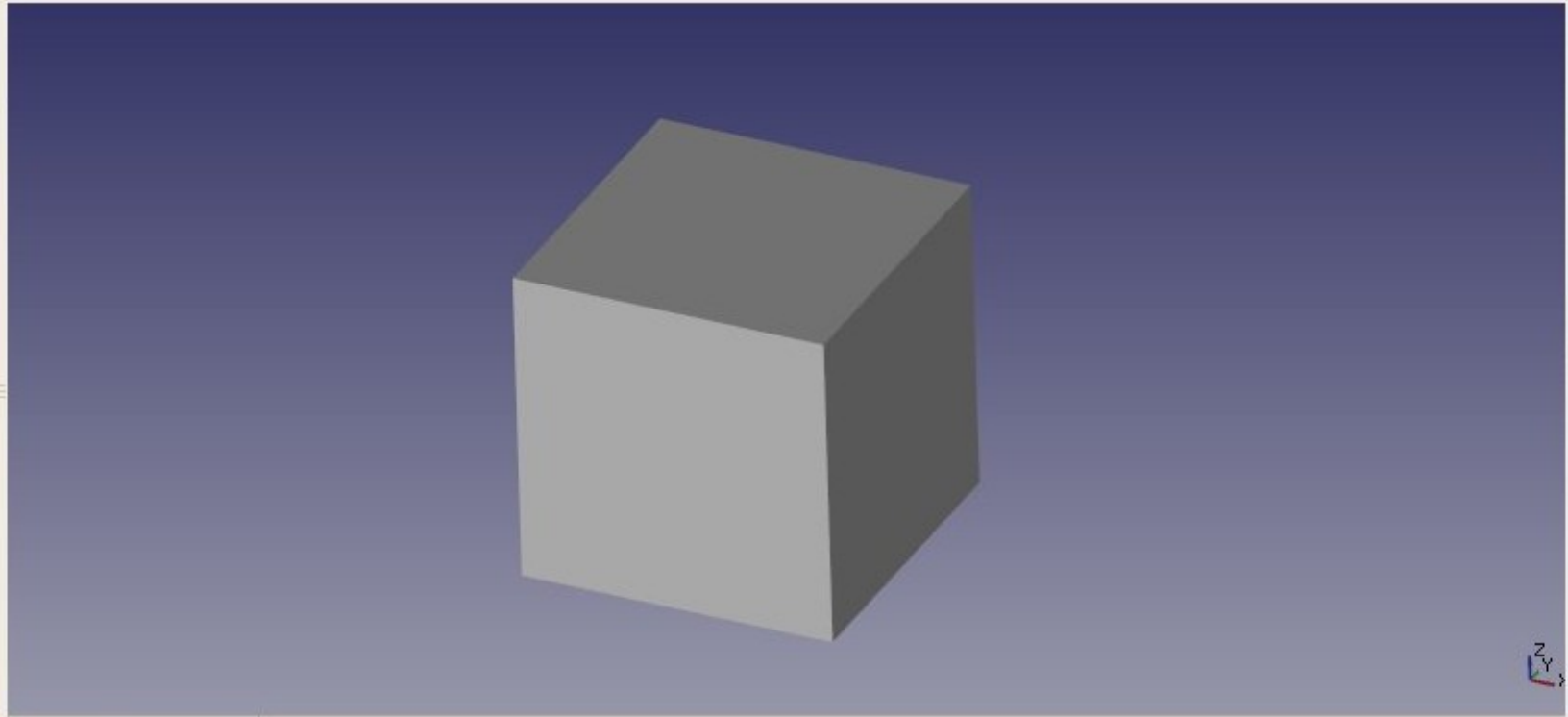
Labels & Attributes

Application

- Unnamed

Property	Value

View Data



Unnamed : 1

Selection view

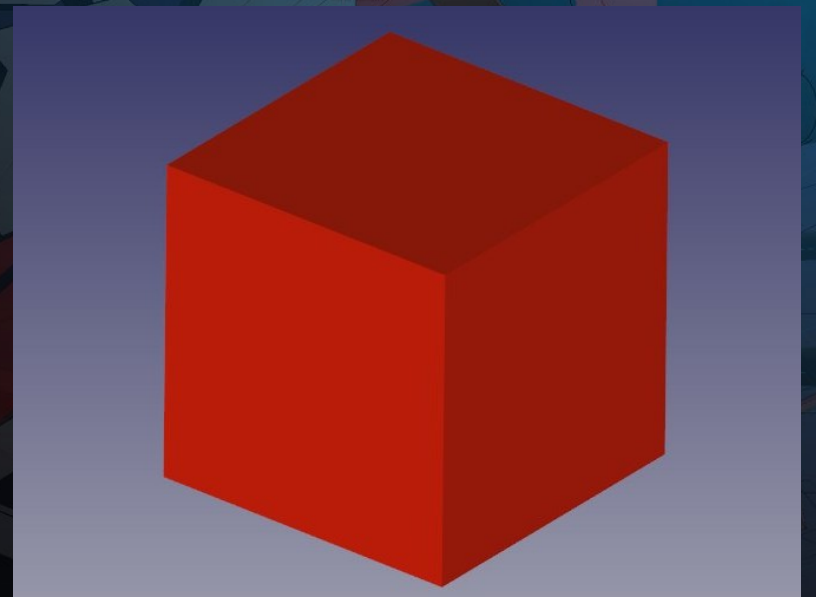
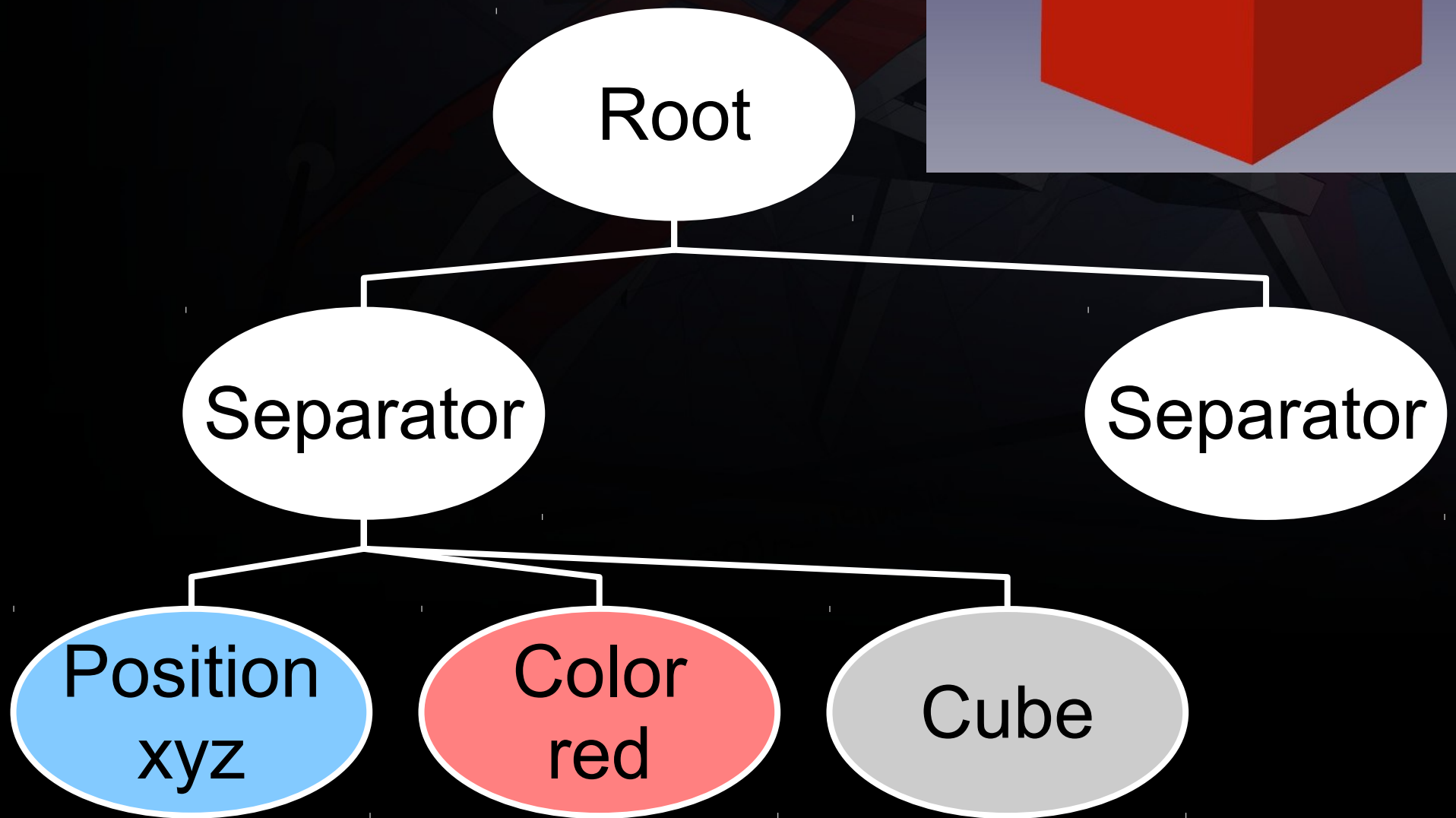
Search

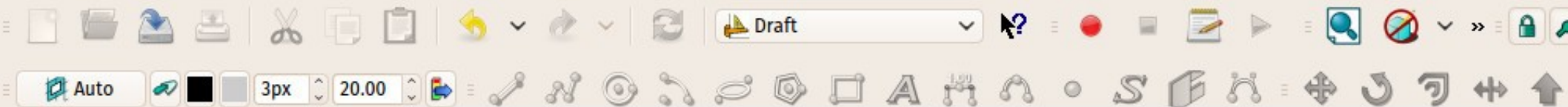
Report view

```
Active view is Unnamed : 1[*] (at 0x4a3d210)
Show main window
Active view is Unnamed : 1[*] (at 0x4a3d210)
Active view is Unnamed : 1[*] (at 0x4a3d210)
```

Python console

```
>>> q.setWidget(cal)
>>> mw.addDockWidget(QtCore.Qt.RightDockWidgetArea,q)
>>> from pivy import coin
>>> win = Gui.ActiveDocument.ActiveView.getSceneGraph()
>>> win.addChild(coin.SoCube())
>>>
```





Combo View

Model Tasks

Close

Line

Global X -10.00 m

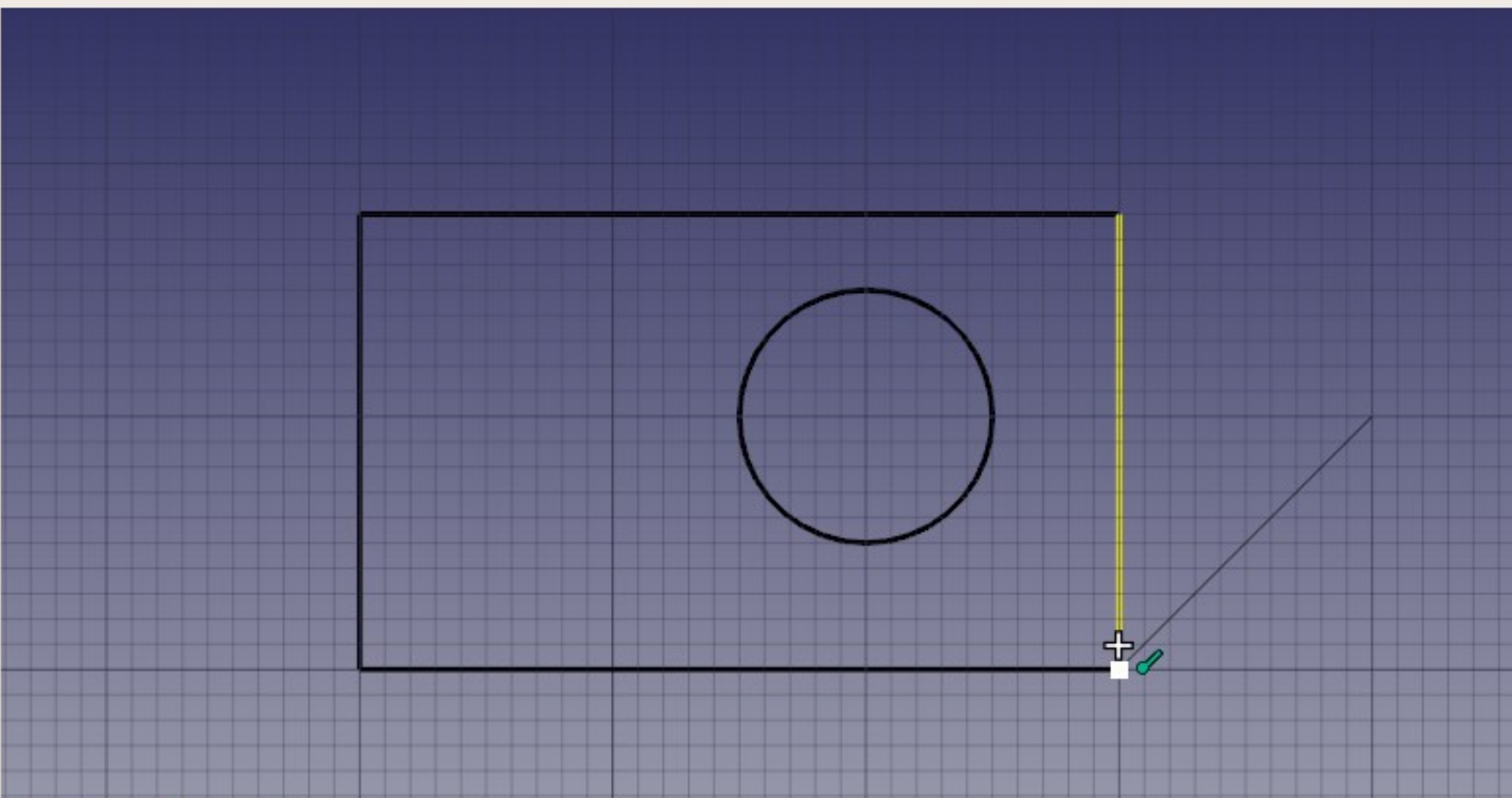
Global Y -10.00 m

Global Z -0.00 mm

Length 14.14 m

Angle 135.00 deg Relative Continue

Undo



Unnamed : 1*

Selection view

Search

Report view

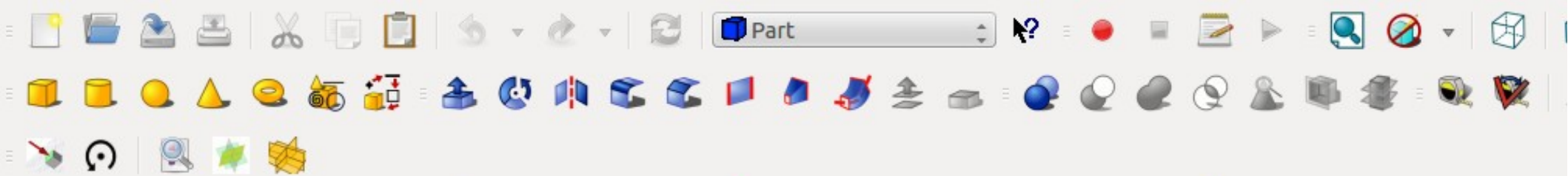
```
Pick first point:
Pick next point:
Sel : Clear selection
Active view is Unnamed : 1[*] (at
0x69885e0)
Active view is Unnamed : 1[*] (at
0x69885e0)
```

Python console

```
>>> FreeCADGui.getDocument("Unnamed").getObject("Rectangle1")
>>> pl=FreeCAD.Placement()
>>> pl.Rotation.Q=(0.0, -0.0, -0.0, 1.0)
>>> pl.Base=FreeCAD.Vector(10000.0, 10000.0, 0.0)
>>> Draft.makeCircle(radius=5000.0, placement=pl, face=True)
>>>
```

The user can

- Quickly record a couple of actions
- Tweak it afterwards
- Create highly complex GUI elements
- Create the needed screen behaviour



Vue combinée

Modèle Tâches Work Features

Origin

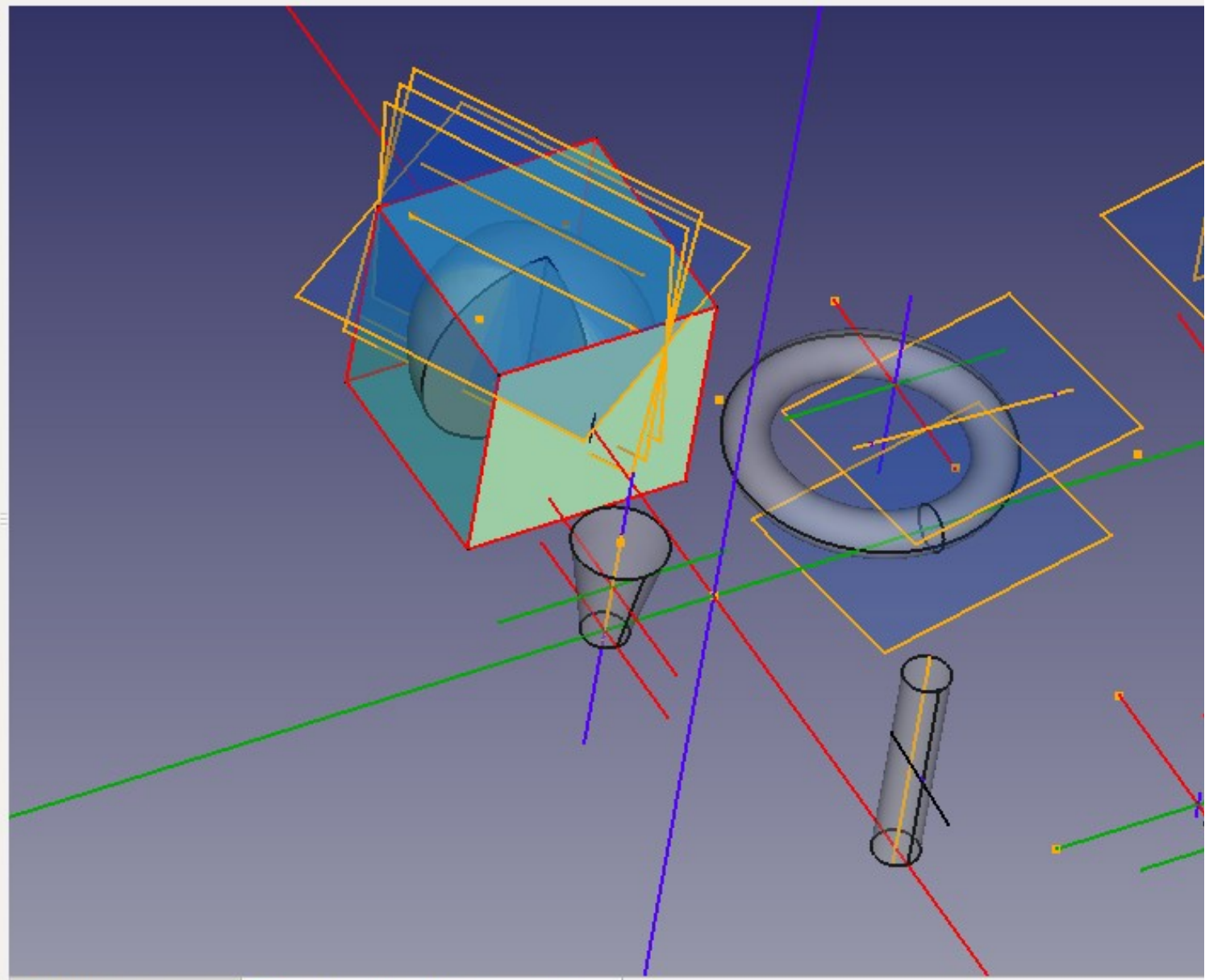
Point

Axis

Plane

Boxes

- Object(s) Center
- Line(s) Center
- Line(s) Extrema
- Circle(s) Center
- Point along Line
- Face(s) Center
- Point=(Line,Face)
- Point=(Line,Point)
- Point=(Point,Face)
- Object(s) Base Point



Vue rap... Console Pyt... Vue combi... Start page testForWorkfeatures : 1

Preselected: testForWorkfeatures.Face028.Face1 (-20.000000,3.975221,-8.973855)

Typical learning path

- Start by recording some actions: my first macro!
- Publish it on the FreeCAD website
- Tweak it, add some salt
- Man, I need a dialog...



FreeCAD forum

The help and development forum of FreeCAD

Search... Search

Advanced search

Search with google

Board index

User Control Panel (0 new messages) • View your posts

FAQ Members Logout [yorik]

It is currently Fri Jan 16, 2015 5:49 pm
[Moderator Control Panel]

Last visit was: Fri Jan 16, 2015 12:25 pm

View unanswered posts • View unread posts • View new posts • View active topics

Mark forums read

USERS	TOPICS	POSTS	LAST POST
Help on using FreeCAD Post here for help on using FreeCAD's graphical user interface (GUI).	3085	26067	by quick61 Fri Jan 16, 2015 5:34 pm
Python scripting and macros Need help, or want to share a macro? Post here!	455	2697	by dekonig Fri Jan 16, 2015 4:22 pm
Install / Compile Having trouble installing or compiling FreeCAD? Get help here.	753	6393	by hobbes1069 Fri Jan 16, 2015 11:07 am
Open discussion Have some feature requests, feedback, cool stuff to share, or want to know where FreeCAD is going? This is the place.	1024	10369	by DeepSOIC Fri Jan 16, 2015 4:18 pm
Feature Announcements Info about new implemented features, classes, modules or APIs. Might get technical!	121	1616	by hotspoons Wed Jan 14, 2015 10:38 pm
Users Showcase Show off your FreeCAD projects here!	194	954	by microelly2 Tue Jan 13, 2015 6:10 pm

DEVELOPMENT	TOPICS	POSTS	LAST POST
Developers corner Here's the place for discussion related to coding in FreeCAD, C++ or Python. Design, interfaces and structures.	1200	14664	by yorik Fri Jan 16, 2015 5:18 pm
Pull Requests Post here if you have code to integrate into master.	150	1102	by yorik Fri Jan 16, 2015 3:32 pm
Part Design module development	62	678	by ickby



Combo View

Model Tasks

Labels & Attributes

Application

Unnamed

Property Value

View Data

Selection view

Search



Unnamed:1

Report view

```
Show main window
Toolbars restored
Init: Entering event loop
Init: Processing command line
Active view is Unnamed : 1[*] (at 0x2cec0f0)
Active document is Unnamed (at 0x2ce9dd0)
Active view is Unnamed : 1[*] (at 0x2cec0f0)
```

- <none>
- Arch
- Assembly
- Assembly 2
- Complete
- Custom
- Draft
- Drawing
- Drawing Dimensioning
- Fem
- Image
- Inspection
- Mesh design
- OpenSCAD
- Part
- Part Design
- Path
- Plot
- Points
- Python sandbox
- Raytracing
- Reverse Engineering
- Robot
- Ship
- Sketcher
- Spreadsheet
- Start
- Test framework
- Web



Python console area

Python console area

```
Py
[C
T)
>>
>>
>>
>>
```

The community usually

- Suffocates cool new users with help
- Guides through the complex world of technical 3D
- Provides a lot of feedback and testing
- Decides about anything

The FreeCAD development

- No goals, no schedule, no law
- No release plan. No plan at all, actually
- No typical “user-to-developer” thing
- Most of the problems get solved directly on the forum

And the developers?

- Just 3 people with write permission
- General knowledge of the whole app
- Very tight attention to the structure and the principles
- Promote FWD (FreeCAD World Domination)

FreeCAD

File Edit View Tools Macro Path Windows Help

Path

Combo View

Model Tasks

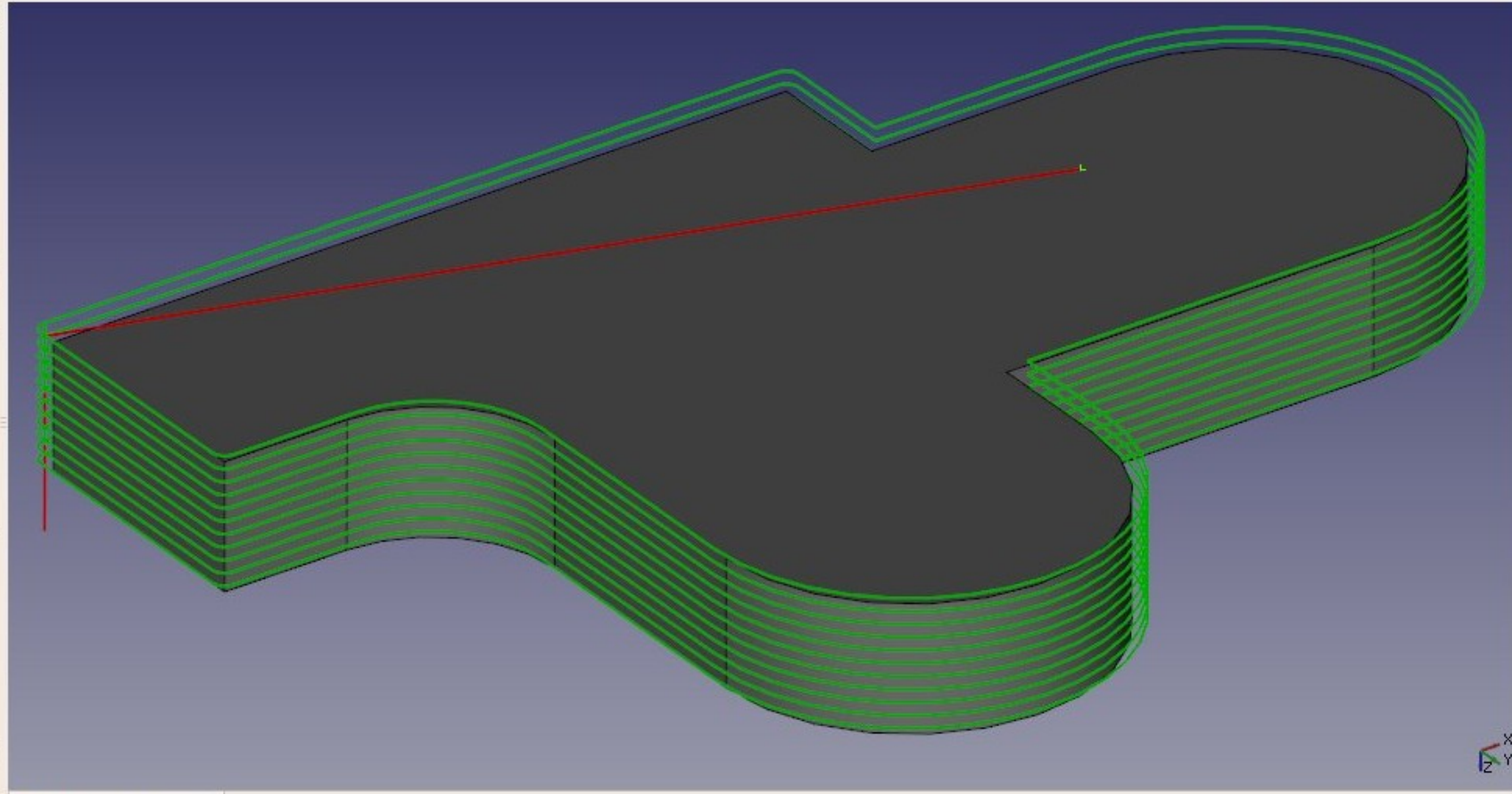
Labels & Attributes

Application

- ▼ Unnamed
 - ▶ Pad
 - Profile**

Property	Value
Depth Parameters	
Clearance Height	15.00
Final Depth	-1.00
Retract Height	0.00
Start Depth	9.00
Step Down	1.00
Use Start Depth	false
Path	
Path Closed	true
Profile Parameters	
Direction	CW
▶ End Point	[0.00 0.00]
Extend At End	0.00
Extend At Start	0.00
Horiz Feed	0.00

View Data



Selection view

Search

Unnamed.Profile (Profile)

Report view

```

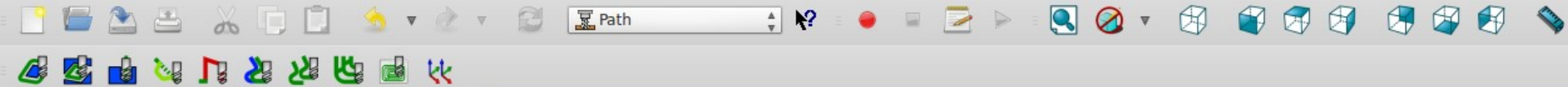
Loading PathCopy... done
Loading Path workbench... done
Path workbench activated
There are edges selected
Sel : Clear selection
Sel : Clear selection
Active view is Unnamed : 1[*] (at 0x3304db0)
  
```

Python console

```

>>> App.ActiveDocument.recompute()
>>> Gui.activeDocument().resetEdit()
>>> Gui.activateWorkbench("PathWorkbench")
>>> import PathScripts.PathProfile
>>> FreeCADGui.getDocument("Unnamed").getObject("Profile")
>>>
  
```

File Edit View Tools Macro Path Windows Help



Combo View

Model Tasks

Labels & Attributes

- Pad001
- Fillet
- Vises
- PathProject
 - G54
 - Profile
 - G55
 - Profile_Copy

Property	Value
Base	
Use Place...	false
Placement	[(0.00 0.00 1
Label	PathProject
Machine	
Corner Min	[0.00 0.00 0.
Corner Max	[0.00 0.00 0.
Description	
Feed Rate	0 mm/(s)
Spindle S...	0 mm/(s)

View Data

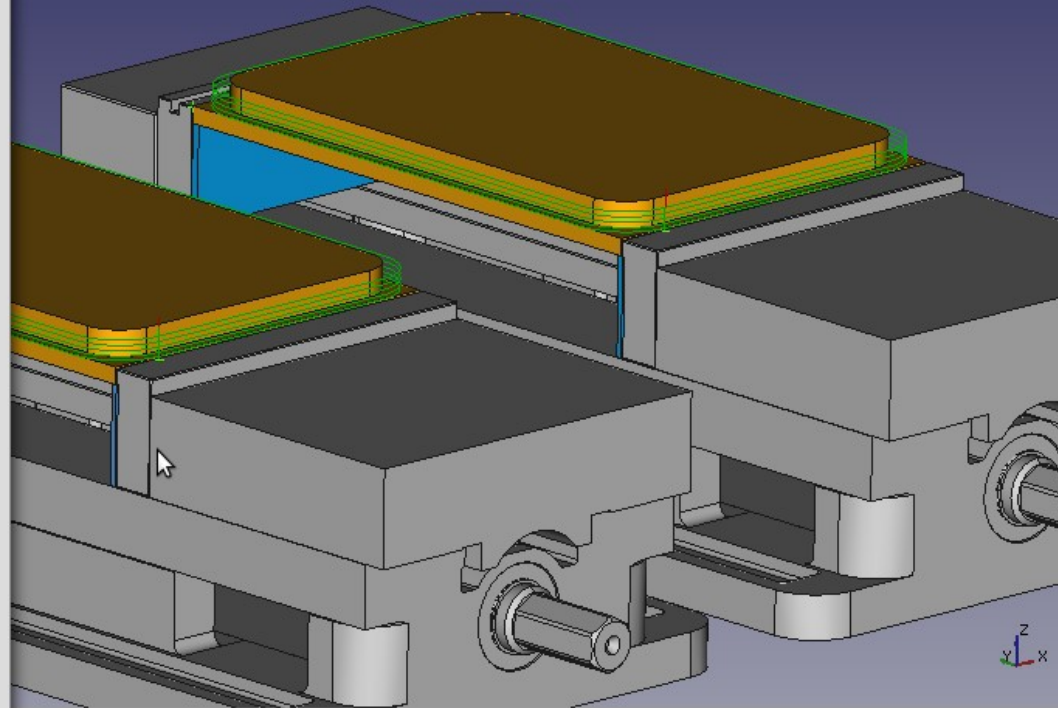
Combo View Tree view

FreeCAD

```
(Exported by FreeCAD)
(Post Processor: PathScripts.linuxcnc_post)
(Output Time:2015-01-17 11:29:20.786774)
(begin preamble)
G17 G21 G90
G54
(begin toolchange)
(A toolchange)
(happens here)
M6T1
M3S2000.0000
G0X20.0000Y-224.8500
G1X20.0000Y-224.8500Z8.6000F75.00
G1X130.0000Y-224.8500Z8.6000F150.00
G3X151.3500Y-203.5000Z8.6000I0.0000J21.3500F150.00
G1X151.3500Y-20.0000Z8.6000F150.00
G3X130.0000Y1.3500Z8.6000I-21.3500J0.0000F150.00
G1X20.0000Y1.3500Z8.6000F150.00
G3X-1.3500Y-20.0000Z8.6000I0.0000J-21.3500F150.00
G1X-1.3500Y-203.5000Z8.6000F150.00
G3X20.0000Y-224.8500Z8.6000I21.3500J0.0000F150.00
G1X20.0000Y-224.8500Z6.6000F75.00
G1X130.0000Y-224.8500Z6.6000F150.00
G3X151.3500Y-203.5000Z6.6000I0.0000J21.3500F150.00
G1X151.3500Y-20.0000Z6.6000F150.00
G3X130.0000Y1.3500Z6.6000I-21.3500J0.0000F150.00
G1X20.0000Y1.3500Z6.6000F150.00
G3X-1.3500Y-20.0000Z6.6000I0.0000J-21.3500F150.00
G1X-1.3500Y-203.5000Z6.6000F150.00
G3X20.0000Y-224.8500Z6.6000I21.3500J0.0000F150.00
G1X20.0000Y-224.8500Z4.6000F75.00
G1X130.0000Y-224.8500Z4.6000F150.00
```

Cancel

OK



543.01 x 307.91 mm

Menu Terminal

FreeCAD

1 2 3 4 5 6

96% 11:35 AM

SHAPEOKO 2

A factory for your desktop.

SEE PRICING

This is Ryan. He needed a powerful machine he could take on the road.

Explore Ryan's story

Please note: Kits ordered today are scheduled to ship within 12 business days.

MECHANICAL KIT

Not for the faint of heart, this kit includes only the skeleton of the machine.

This is **recommended if you are an expert and your goal is to build a custom machine**. You'll need to supply your own electronics, pulleys, belts, and M3 hardware.

Kit contents \$300

ADD TO CART

FULL KIT

The Full Kit comes with with everything you need to get started with 3D carving, including tools and a milling bit.

After you assemble the Full Kit you will have a working bare-bones machine that can carve parts. This is **recommended for hobbyists who see building and upgrading the machine as part of the fun**.

Which voltage kit should I buy?

Kit contents ● 110V  \$650
● 220V  \$695

ADD TO CART

THE WORKS


This package includes the Full Kit + a number of popular upgrades including a Quiet Cut spindle, a waste board with clamps, and an electronics enclosure.

This setup is recommended if you want to order these popular upgrades and accessories for the machine all at one time.

Which voltage kit should I buy?

Kit contents ● 110V  \$1,022
● 220V  \$1,061

ADD TO CART



“We're moving into this future
where the factory is everywhere,
and the design team is
everyone. That is an industrial
revolution”

Alastair Parvin (TED talk)
<http://www.wikihouse.cc>



Thank you!