

MutantC v3

“Hardware shell for RPi form factor boards”

Cyril Hrubis

6. February 2021



What is MutantC



What are (v3) the specs

- SPI sliding display with touchscreen

I do have cheap 4" 480x320, but I would like to try eInk as well.

- Hardware keyboard + joystick mouse
- Rechargeable 18650 Li-ion battery
- Buzzer, LEDs, etc.



What are (v3) the specs

- Docking connector
- RTC that can also wake up the machine
- Internal addon board with PWR, i2c, UART and GPIOs
I do plan to fit GPS module there
- Various sensors inside
Gyroscope, accelerometer, atmospheric pressure, temperature



Why it's interesting

- Reasonably easy to build
- Affordable to build even in small quantities
- Upgradeable
- Easily repairable
- Easy to modify

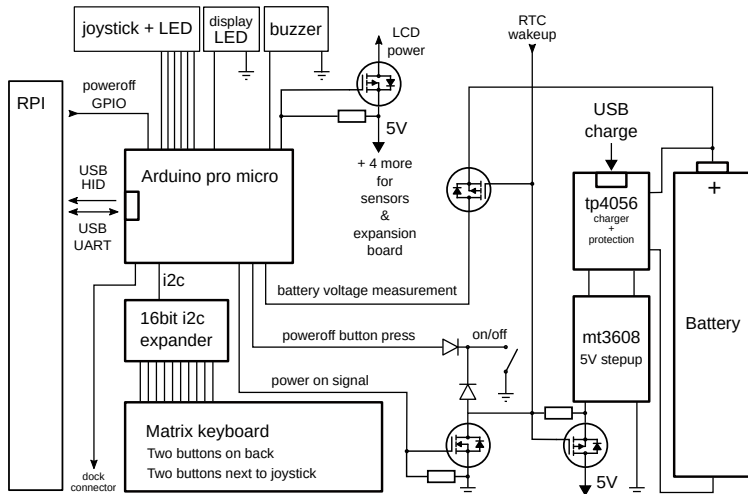


How it's put together

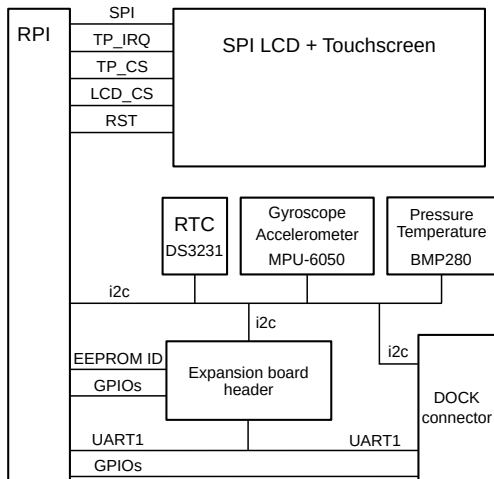
- Body is 3D printed, held together by few screws
- Most components are soldered/connected to main PCB
- Sliding display is connected via FPC cable



Block schematic I



Block schematic II



- Home Pages:

<https://mutantc.gitlab.io/>

- GIT repository:

<https://gitlab.com/mutantC/mutantc-v3/>

- YouTube:

<https://www.youtube.com/c/mutantC>

